

Shades Technics

2050RS Toilet Cubicle



Manual

CUBICLE OPERATING INSTRUCTIONS

CLEANING & HYGENE

CUBICLE MAINTENANCE

WARRANTY CLAIMS

SPARE PARTS CATALOGUE

- Door
- Sink
- Vanity
- Vanity Door
- Bin Lid
- Upper Vanity
- Upper Vanity Door
- Fan
- Toilet Bowl
- Flush Tank
- Soil Tank
- Handwash Tank
- Front Fascia
- Cubicle Base
- Cubicle Top
- External
- General Spares
- Legends

ELECTRICAL DIAGRAMS

- PCB Layout
- Cubicle Circuit Diagram

FAULT FINDING CHARTS

PARTS REPLACEMENT INSTRUCTIONS


To Switch The Cubicle On:


Engage the WC Master switch on the dashboard. The cubicle interior lamp will turn on for 30 seconds and the vacant lamp will come on after 1 minute. The cubicle is now ready to use. *(It is recommended that the vehicle engine is running)*


Cubicle Interior Light:

On entry, the interior lamp will come on automatically and illuminate the "Occupied" lamp. The interior lamp is controlled by a movement sensor which will switch off the light automatically shortly after the cubicle is vacated and illuminate the "Vacant" lamp.

To Flush The Toilet:


Push the flush button  once to flush the toilet with a set quantity of water. Should a further flush be required, wait for the flush cycle to complete then press the button again. NOTE: The toilet will flush automatically if the cubicle is vacated without flushing first.

(When the holding tank is full, the dashboard LED  will illuminate and the "Occupied" lamp will signal. The toilet is now out of use until the holding tank is emptied.

(When the clean water tank is empty the dashboard LED  will illuminate and the "Occupied" lamp will signal. The toilet is now out of use until the water tank is re-filled.)

To Wash Your Hands:

Depress the handwash button  once to dispense a set amount of water.

(When the handwash tank is empty the dashboard LED  will illuminate to alert the driver..)

In Case of Emergency:

Depressing the red alarm button will alert the driver and sound a buzzer.

Cubicle Extractor Fan:

The ventilator fan runs at half speed when the cubicle is vacant and switches to full speed when the cubicle is occupied.

Water Tank Filling & Emptying

Tanks are filled via the hose connectors located in the side locker. Both have the option of manual fill:- The handwash 40mm fill pipe is accessed by removing the litter bin and the flush tank, fitted with a 100mm screw cap, can be accessed through the floor trap.

The holding tank is emptied by firmly pulling the handle on the slide valve fitted underneath the tank.

Cubicle Cleaning

The cubicle is manufactured from Glass Reinforced Plastic (GRP) with high gloss interior and lightly textured exterior surfaces. This surface finish is delicate and must only be washed down using a mild detergent. The use of a caustic or abrasive material is not recommended, as this will affect the appearance.

Toilet Bowl Cleaning

To protect the finish of the Stainless Steel toilet bowl do not use abrasives of any kind. To clean the bowl, use a mild anti-bacterial detergent and suitable brush.

Litter Bin

The cubicle features a plastic bin located in sink area. Removing this bin gives access to the 40mm fill pipe and drain tap for the hand wash tank. The use of a bin liner is recommended.

Soap Dispenser

To fill the dispenser, unlock the mirror cabinet, lift the lid of the dispenser and fill with liquid soap.

Toilet Roll

It is recommended that a high biodegradable paper is used at all times.

Domestic grade toilet paper is not recommended as this can block the system.

The toilet roll is located inside the lower vanity door. Unlock and open the door, slide the roll onto the spindle.

Daily Routine

- Prior to the vehicle entering service the holding tank should be charged with an additive to sanitise the effluent.
- The recommended product is **Shades Super Sani ECO**, formulated from natural essential oils, this formaldehyde-free formula is contained within a water soluble membrane. A single 16 gram sachet contains the recommended dosage for 110 litre capacity holding tank and will function for a maximum of three days.
To apply:
 1. Ensure the holding tank is empty.
 2. Check the tank evacuation valve is closed
 3. Check the WC clean water tank is full.
 4. Switch on power to the cubicle (see page 3)
 5. Press the flush button to open the toilet valve and drop the complete sachet into the bowl.

Caution
Do not open the sachet .

- It is recommended that the WC supply tank is drained and the holding tank is emptied at the end of every day.
- The daily addition of a couple of drops of mild detergent into water resting in the toilet bowl will lubricate the slider and protect the seal.

Weekly Routine

- Check extractor fan function.
- Inspect the security of the faucet, door hinges and toilet seat. Check the operation of the cubicle door and lock function. Test alarm button and buzzer function.
- Open vanity door, check electrical and plumbing connections for security and leaks.
- Check water flow to the hand basin is smooth and constant.

Quartely Routine

- Flush out holding tank with clean water. (the holding tank must be empty and the vehicle positioned so that the holding tank evacuation valve is over a sewage drainage point)
To flush out:
 1. Switch on the cubicle.
 2. Connect a hosepipe to a mains water supply.
 3. Depress the flush button once to open the slide valve.
 4. When the valve opens, insert the end of the hose pipe down through the bowl, into the soil pipe. When the valve closes the hose will be held into position by the paddle pressure.
 5. Turn on the water to the hose pipe and fill the holding tank, being careful not to overfill.
 6. Switch off the water to the hose and open the evacuation valve to empty the tank.
 7. Press the flush button to open the valve and remove the hosepipe.
- Lubricate holding tank evacuation valve. (to be carried out immediately after flushing through the holding tank).
Undo the four fixing bolts holding the soil valve assembly together and remove the main body section. Lubricate the slide paddle using lithium grease or similar so the open/close operation is smooth. Replace the valve body and bolt together. Do not over tighten as this will restrict the operation of the valve.

If the vehicle is to be parked in zero or sub-zero temperatures, it is imperative that all water containers are completely drain beforehand.

Note

No warranty claims will be accepted on any winter damaged parts.

Jump Starting

When jump starting the vehicle, please ensure that the dashboard master Switch, **WC**, is off!

Fault Reporting Procedure

1. In the unlikely event of a fault occurring an emergency parts kit has been supplied along with the enclosed comprehensive fault analysis flow chart
2. Using these charts, determine the cause of the fault and replace the faulty item from the kit if possible.
3. To order a replacement kit or non-kit part contact the dealer as specified on the contents page (Page 2) of this manual, quoting the cubicle serial number.
4. In order for replacement goods to be dispatched a simple warranty procedure must be followed.

Notes:

- **Tampering, unauthorised involvement or preventable damage will result in a charge being levied**

Warranty Claim Procedure

Shades Technics offer a comprehensive warranty cover for all products, valid for 24 months from the vehicle's date in service.

Contact the dealer or supplier from where the vehicle was purchased.

The dealer/supplier will then contact Shades Technics who will fax a warranty claim form to the customer.

Complete the warranty claim form, ensuring all details are filled in and fax back to Shades Technics on +44 (0)1992 501669

Shades Technics will dispatch any parts required or organise rectification via one of the service points listed at the back of this parts & service manual

Please return any fault parts which have been replaced under warranty within 14 days or a charge may be levied

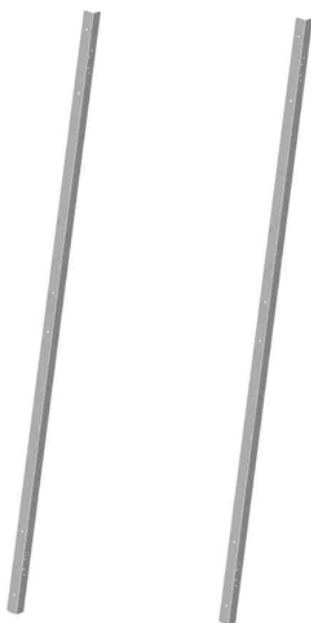
NO	NAME	PART NO.	QTY
1	SCREW M6 X 30 Csk S/STEEL	VB713020	11
2	LH DOOR LOCK ASSEMBLY	VB661206	1
3	DOOR ANGLE	VB661855	1
4	FASCIA ANGLE	VB661850	1
5	SPRUNG RETURN DOOR HINGE	VB661400	2
6	DOOR EDGE SEAL	VB661490	5M
7	E2050055 DOOR ASSEMBLY		1
8	COAT HOOK	VB661030	1
9	SCREW No6 X 12 SELF TAP	VB713050	1

ENGINES TECHNIQUES Cubicle Door Spares L.Patmore E2050055	DATE: 29/07/03	SCALE: N.T.S	MATERIAL: -	DRAWING No: ST5222			
<small>THIS DRAWING IS THE PROPERTY OF ENGINES TECHNIQUES. IT MUST NOT BE REPRODUCED OR TRANSMITTED IN ANY FORM OR BY ANY MEANS, ELECTRONIC OR MECHANICAL, INCLUDING PHOTOCOPYING, RECORDING, OR BY ANY INFORMATION STORAGE AND RETRIEVAL SYSTEM, WITHOUT THE PRIOR WRITTEN PERMISSION OF ENGINES TECHNIQUES. THE USER AGREES TO INDEMNIFY ENGINES TECHNIQUES FROM ALL SUCH REPRODUCTION OR TRANSMISSION. THE USER AGREES TO HOLD ENGINES TECHNIQUES HARMLESS FROM ALL SUCH REPRODUCTION OR TRANSMISSION. THE USER AGREES TO HOLD ENGINES TECHNIQUES HARMLESS FROM ALL SUCH REPRODUCTION OR TRANSMISSION. THE USER AGREES TO HOLD ENGINES TECHNIQUES HARMLESS FROM ALL SUCH REPRODUCTION OR TRANSMISSION.</small>	Issue Date: A 29/07/03	Issue No: 1	FINISH: -	Drawn By: L.Patmore			
	Issue Date: B 01/02/03	Issue No: 2		Part No: E2050055			
TITLE: 2050RS Door Assembly							



2

Door Lock
Cat No: VB661206
Volvo Part No: 70368776

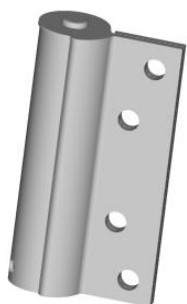


4

Fascia Support
Cat No: VB661850
Volvo Part No: 70368780

3

Door Support Angle
Cat No: VB661855
Volvo Part No: 70368781



5

Self-Closing Toilet Door Hinges
Cat No: VB661400
Volvo Part No: 70368782



6

Coat Hook
Cat No. VB661030
Volvo Part No. 70371854

NO	NAME	PART NO.	QTY
1	CLEAR DOOR BUFFERS	VB713515	2
2	10LTR PLASTIC BIN	VB661040	1
3	EDGEMOUNT HINGE	VB661410	1
4	RIVET 5MM X 19MM C.s.k	VB713090	2
5	BARBED FAUCET	VB663603	1
6	1/2" BSP BRASS BACK NUT	VB695504	1
7	SINK WASTE FITTING	VB701550	1
8	PUMP BUTTON BK	VB714007	1
9	B2050001 WORKTOP		1

784.00

400.00

310.00

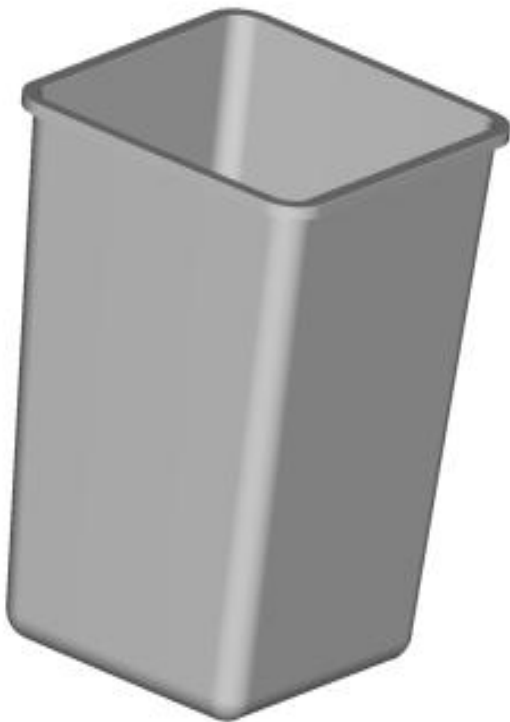
175.00

DATE: 24/01/03	SCALE: N.T.S	DATE: 24/01/03	SCALE: N.T.S
ISSUE: 1	DATE: 24/01/03	ISSUE: 1	DATE: 24/01/03
MATERIAL: -		FINISH: -	
DRAWN BY: L.Patmore		PART NO: E2050001	
TITLE: 2050RS Sink Worktop Assembly			



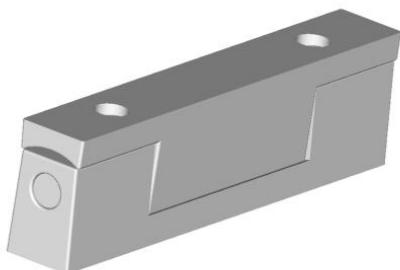
1

Clear Buffer
Cat No: VB713515
Volvo Part No: 70348467



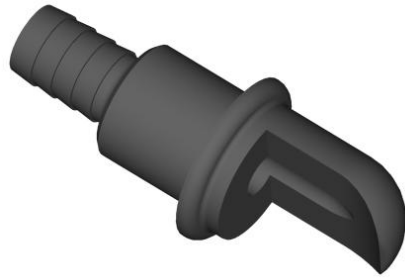
2

Litter Bin
Cat No: VB661040
Volvo Part No: 70371842



3

Edgemount Hinge
Cat No: VB661410
Volvo Part No: 70371880



5

Faucet
Cat No: VB663603
Volvo Part No: 70368847



7

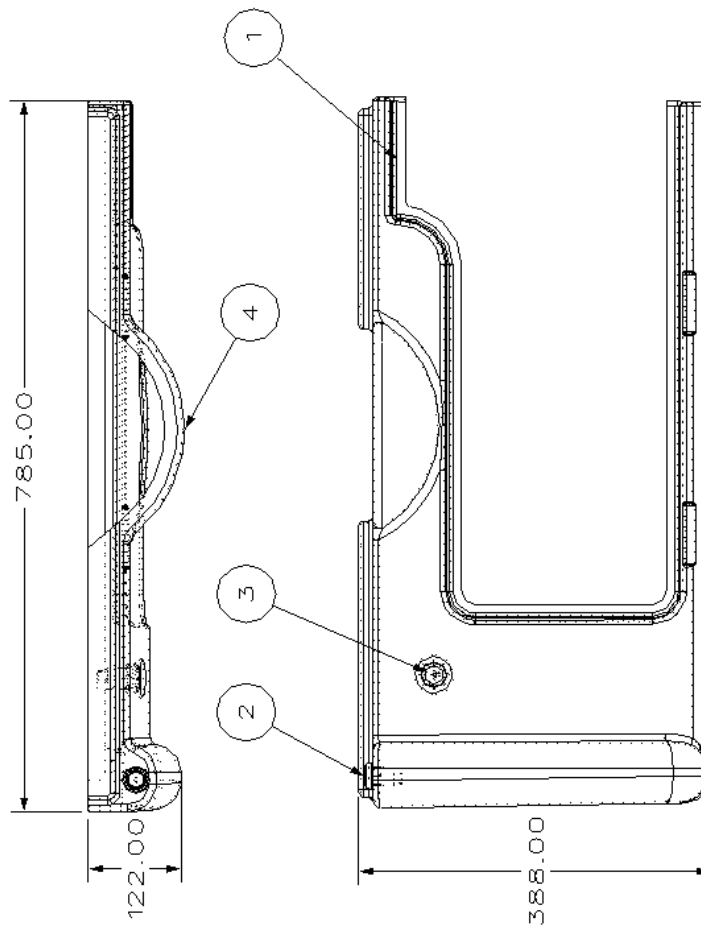
Floor/Sink Drain
Cat No: VB701550
Volvo Part No: 70368794



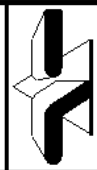
8

Flush/Hand wash Button
Cat No: VB714007
Volvo Part No: 70368804

NO	NAME	PART NO.	QTY
1	DOOR "O" SEAL	VB661497	1.5M
2	PUMP BUTTON BK	VB714007	1
3	ALARM BUTTON	VB714030	1
4	B2050002 FRONT VANITY		1



Shades Technics Design, Project, Design & Manufacture Services, Beyond The Order Sheet	DATE: 25/01/03	DATE: 25/01/03	DATE: 25/01/03	DATE: 25/01/03	DATE: 25/01/03
	SCALE: N.T.S.	SCALE: N.T.S.	SCALE: N.T.S.	SCALE: N.T.S.	SCALE: N.T.S.
	TESTED	TESTED	TESTED	TESTED	TESTED
	DATE	DATE	DATE	DATE	DATE
THIS DRAWING IS THE PROPERTY OF SHADES LTD (SHADES TECHNICS). IT MUST NOT BE REPRODUCED, COPIED, EITHER WHOLLY OR PARTIALLY, OR TRANSMITTED IN ANY MANNER, WITHOUT WRITTEN PERMISSION FROM SHADES LTD.		MATERIAL: - FINISH: -		DRAWING NO: S15228 DRAWN BY: L.Patmore PART NO: E2050002	
***** Tel: 0441 000000 50003 Fax: 0441 000000 50004 Email: info@shades.com.au www.shades-technics.com		TITLE: 2050RS Lower Vanity Assembly			





2

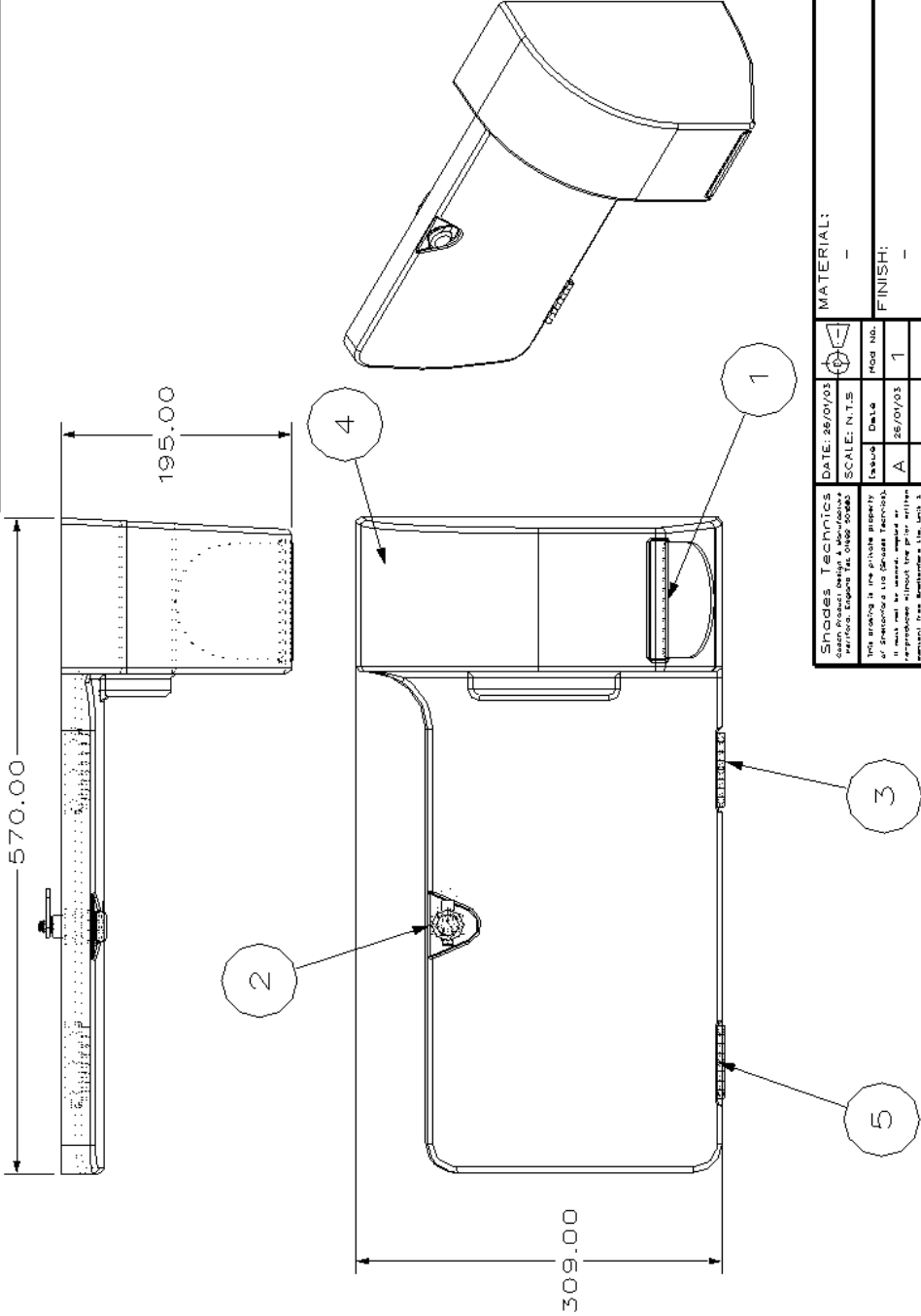
Flush/Hand wash Button
Cat No: VB714007
Volvo Part No: 70368804



3

Alarm Button
Cat No: VB714030
Volvo Part No: 70368806

NO	NAME	PART NO.	QTY
1	GRIP TAPE	VB661480	120mm
2	HAPPICH LOCK	VB661217	1
3	BUTT HINGES	VB661252	2
4	B2050003 LOWER VANITY DR	DR	1
5	RIVET 4MM X 11MM Csk	VB713080	6



Shades Technics
 Design Research Design & Manufacturing
 Services Support Tel: 0200 30000

DATE: 26/01/03
 SCALE: N.T.S.
 Table Date A 26/01/03

MATERIAL: -
 FINISH: -

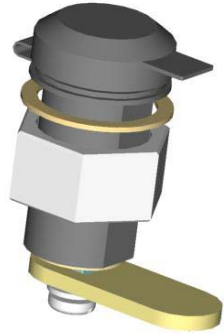
Mod No. 1

Part No. E2050003

Drawing No. ST5229
 Drawn By L.Patmore

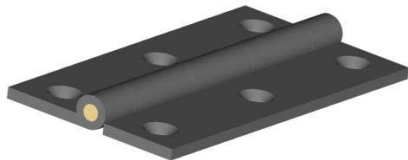
www.shades-technics.com

TITLE: 2050RS Lower Vanity Door Assembly



2

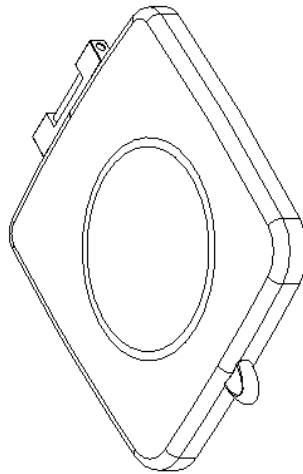
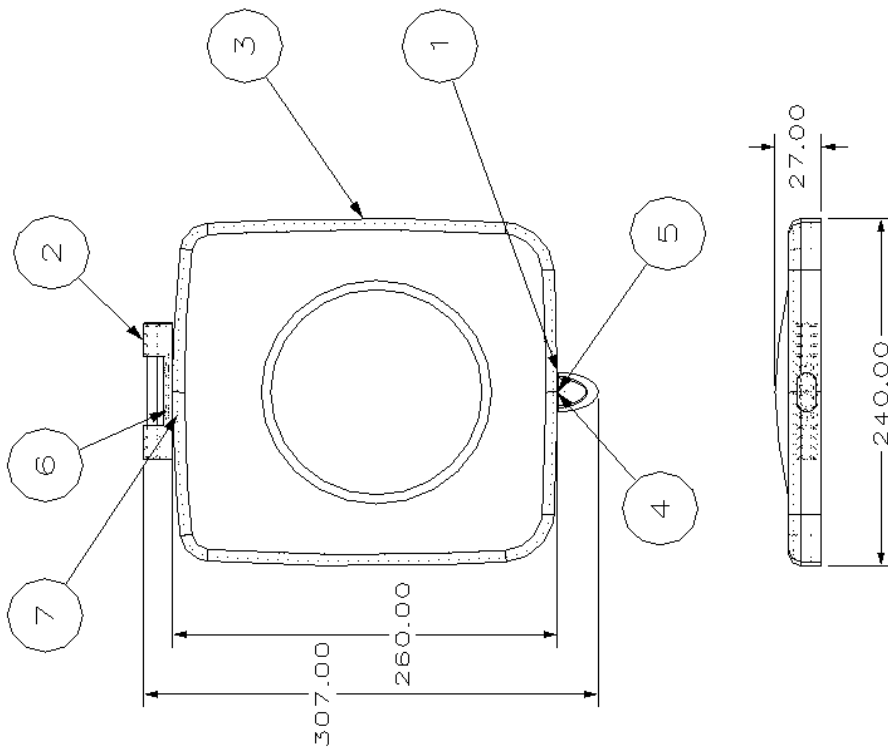
Happich Lock
Cat No: VB661217
Volvo Part No: 70371935



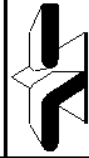
3

Butt Hinge
Cat No: VB661252
Volvo Part No: 70371846

NO	NAME	PART NO.	QTY
1	BIN HANDLE	VB661214	1
2	EDGEMOUNT HINGE	VB661410	1
3	B2050004 BIN LID		1
4	SCREW M4 X 12MM S/STEEL	VB713005	1
5	WASHER M4 S/STEEL	VB713065	1
6	RIVET 5MM X 19MM Csk	VB713090	2
7	WASHER M5 S/STEEL	VB713060	2



Shades Technics Custom Product Design & Manufacturing Services. Sydney Tel: 0800 508699 Fax: +61 (0)800 508699 www.shades-technics.com	DATE: 26/01/03	SCALE: N.T.S		Drawing No. ST15230
	This drawing is the private property of Shades Technics Pty (Private) It must not be reproduced or transmitted in any form without the written permission of Shades Technics Pty (Private)	Title 2050RS Bin Lid Assembly	Material -	Drawn By L.Patmore
	Project No. A	Date 26/01/03	Rev. No. 1	Part No. E2050004
	FINISH: -			

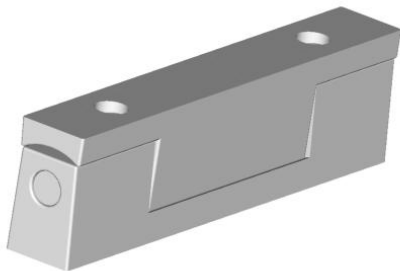


220.5 mm



1

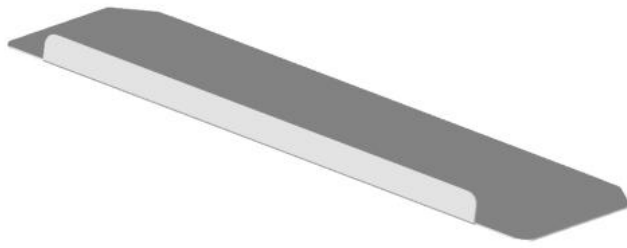
Litter Bin Knob
Cat No: VB661214
Volvo Part No: 70371844



2

Edgemount Hinge
Cat No: VB661410
Volvo Part No: 70371880

Cubicle Upper Vanity Spares



1

Folded Shelf
Cat No: VB661840
Volvo Part No: 70371858



2

Clear Buffer
Cat No: VB713515
Volvo Part No: 70348467



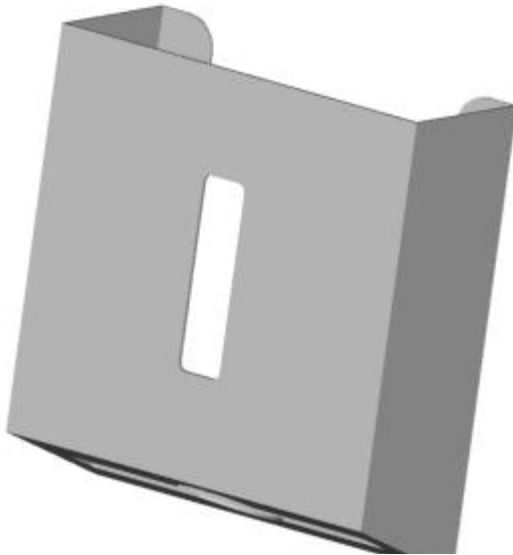
3

Soap Dispenser
Cat No: VB661660
Volvo Part No: 70368799



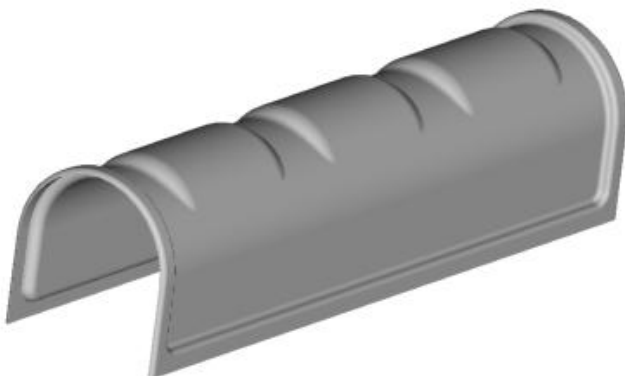
5

Bayonet Bulb
Cat No: VB712028
Volvo Part No: 945091



7

Hand Towel Dispenser
Cat No: VB661625
Volvo Part No: 70371856



8

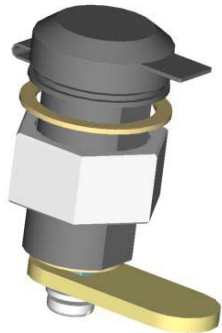
Lamp Cover
Cat No: VB712026
Volvo Part No: 70368796

Cubicle Upper Vanity Door Spares

NO	NAME	PART NO.	QTY
1	RIVET 4MM X 11MM Csk	VB713080	6
2	DOUBLE SIDED TAPE	VB661485	1.5M
3	HAPPICH LOCK	VB661217	1
4	BUTT HINGES	VB661252	2
5	ACRYLIC MIRROR	VB661820	1
6	B2050006 VANITY DOOR		1

<p>Shades Technics Design, Production & Maintenance Services. England Tel: 01603 50060</p> <p><small>This drawing is the private property of Shades Technics Ltd (Shades Technics). It must not be copied, reprinted or otherwise used without the prior written consent of Shades Technics Ltd. Units & Weights: B205, Metric: Metric, SPS 144.</small></p> <p>***** Tel: 0144 701996 500605 Fax: 0144 701996 500606 Email: info@shades-technics.com www.shades-technics.com</p>		<p>DATE: 25/01/03 SCALE: N.T.S.</p>	<p>DATE: 25/01/03 SCALE: A</p>	<p>DATE: 25/01/03 SCALE: 1</p>	<p>DATE: 25/01/03 SCALE: 1</p>
<p>MATERIAL: -</p>		<p>FINISH: -</p>		<p>TITLE: 2050RS Upper Vanity Door Assembly</p>	

Cubicle Upper Vanity Door Spares



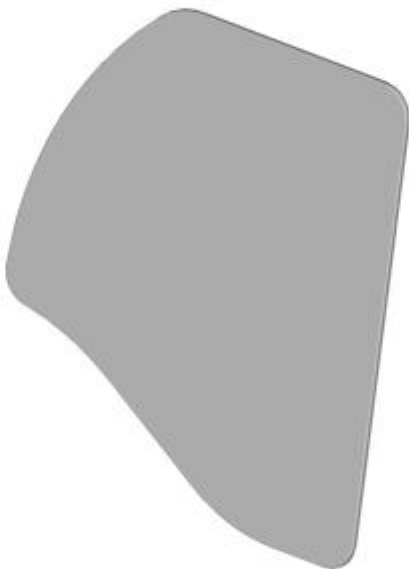
3

Happich Lock
Cat No: VB661217
Volvo Part No: 70371935



4

Butt Hinge
Cat No: VB661252
Volvo Part No: 70371846



5

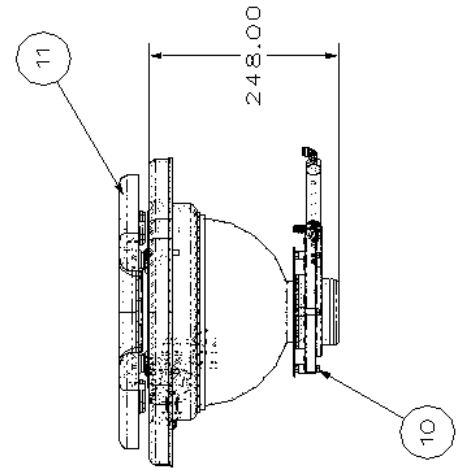
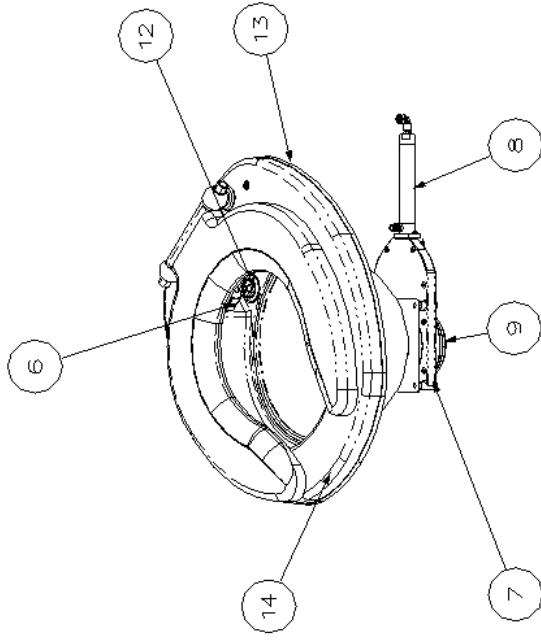
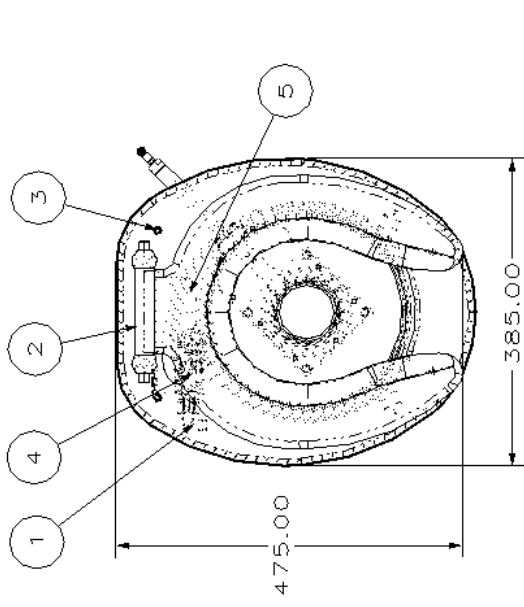
Mirror
Cat No: VB661820
Volvo Part No: 70371860



4

Ventilator Fan
Cat No: VB727500
Volvo Part No: 70368746

NO	NAME	PART NO.	QTY
1	SWIVEL ELBOW	VB702520	1
2	M6 X 25 CS SCREW	VB713020	2
3	M6 X 50 CS SCREW	VB713035	4
4	DIRECT SOLENOID	VB714622	1
5	SPLASH SHEILD	VB731252	1
6	FLUSH JET	VB731500	1
7	SLIDE VALVE	VB735030	1
8	PNEUMATIC CYLINDER	VB735720	1
9	1"O" RING SEAL	VB735046	1
10	SCREW M6 X 50MM HEX HEAD	VB713030	4
11	SPRUNG SEAT ASSY	-	1
12	WC OVERFLOW OUTLET	-	1
13	Bowl Sedi	VB701555	1
14	2050 SS BOWL	VB735738	1.5M



Shades Technics 100, Strada 110 (Shades Technics) Cluj Napoca, Romania Tel: +40 769 000 500 Fax: +40 769 000 500 www.shades-technics.com	DATE: 10/02/03 SCALE: N.T.S.	DATE: 10/02/03 SCALE: N.T.S.	DRAWING No: ST5286
	Level: A Date: 10/02/03 Rev: B	Level: A Date: 10/02/03 Rev: B	DRAWING No: ST5286 Drawn By: Patmore Part No: E2050008
TITLE: 2050RS Stainless Steel Toilet Bowl Assembly			

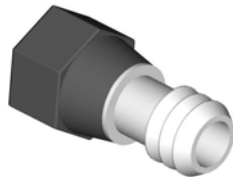


Cubicle Toilet Seat Spares



14

S/Steel Bowl (no seat)
Cat No: VB731250
Volvo Part No: 70368829



1

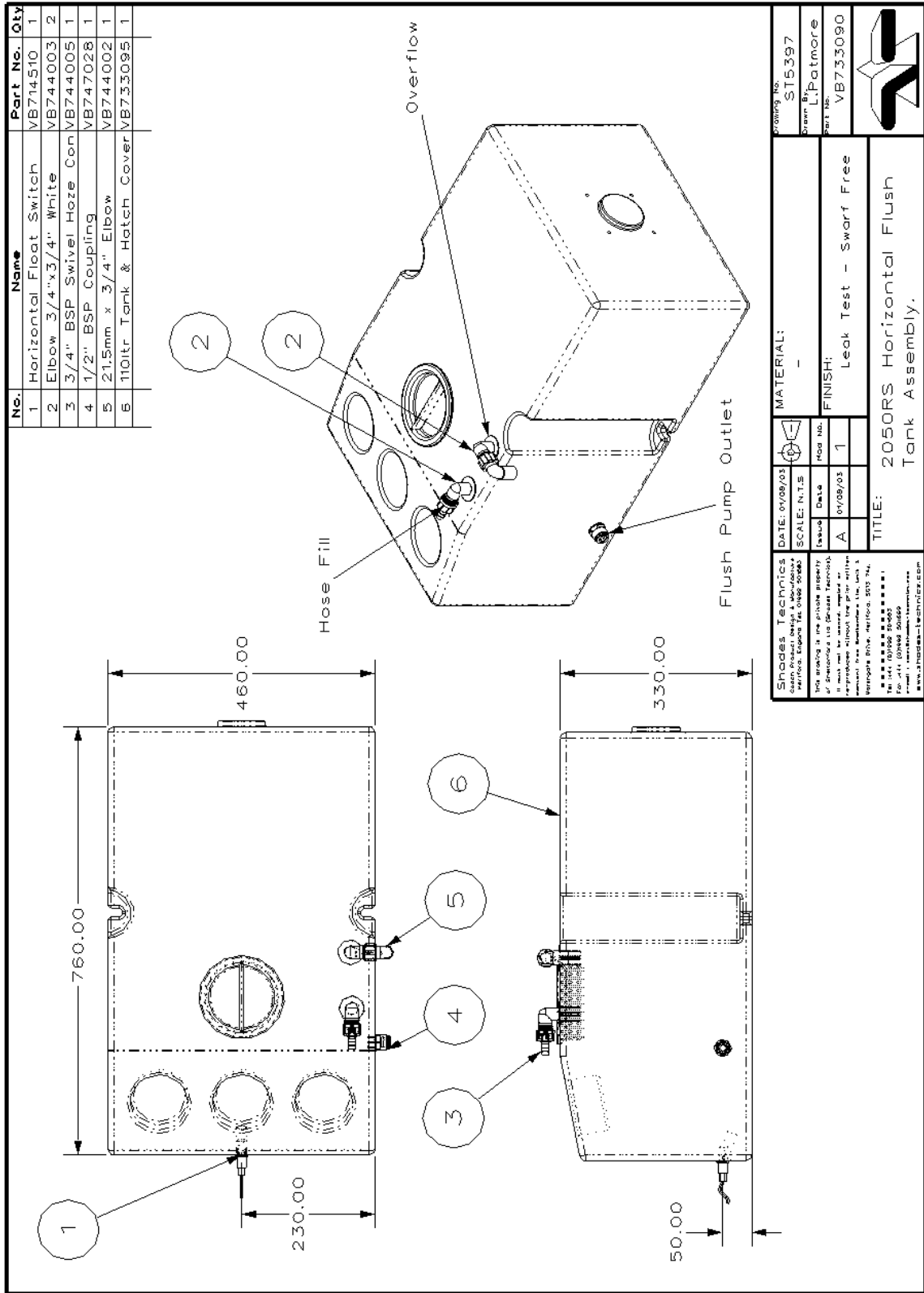
Swivel Straight 1/2" BSP – 1/2" Barbed end
Cat No: VB702520
Volvo Part No: 70371888

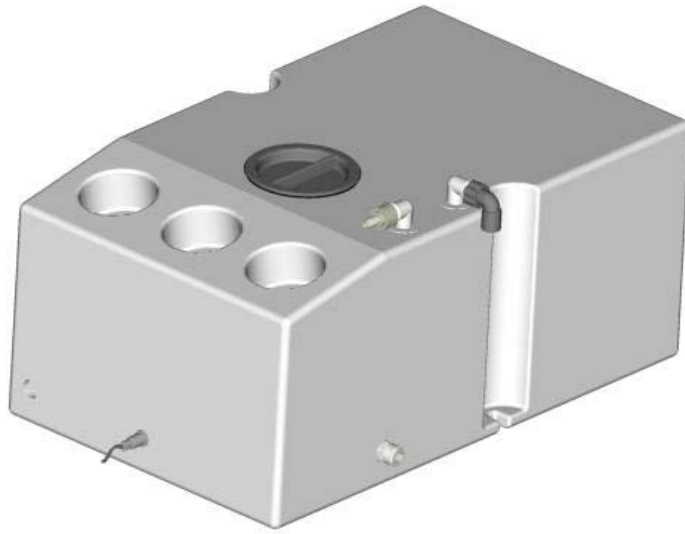


8

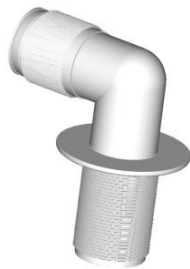
9

Piston and Slide Valve Assembly
Cat No: VB735713





Flush Tank
Cat No: VB733090
Volvo Part No: 70371876



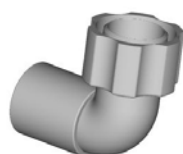
2

Elbow $\frac{3}{4}$ " x $\frac{3}{4}$ " Tank Fitting
Cat No: VB744003
Volvo Part No: 70371896



3

$\frac{3}{4}$ " Swivel Hose Connector
Cat No: VB744005
Volvo Part No: 70371892



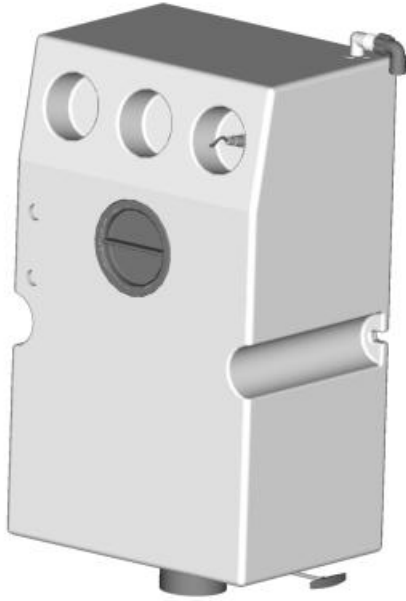
5

21.5mm x $\frac{3}{4}$ " Elbow
Cat No: VB744002
Volvo Part No: 70378190

No.	Name	Part No.	Qty
1	Elbow 3/4" x 3/4" White	VB744D03	1
2	21.5mm x 3/4" Elbow	VB744D02	1
3	Horizontal Float Switch	VB714510	1
4	Dump Valve	VB735711	1
5	Large Slip Socket	VB735701	1
6	110ltr Tank & Hatch Cover	VB733105	1

External Mount Horizontal Float Switch

DATE: 31/07/03 SCALE: N.T.S. LEAVE: A DATE: 31/07/03		DRAWING NO: ST5398 DRAWN BY: L.Patmore PART NO: VB733100
SHADES TECHNIQUES Design, Production, Drafting & Manufacturing Services, Engineers for over 30 years. This drawing is the property of Shades Techniques Ltd. It shall not be loaned, copied or reproduced without the prior written consent of Shades Techniques Ltd. (Incorporated in the United Kingdom, Registered Office: 100 High Street, London, E15 2ET)		FINISH: Leak Tested - Swarf Free TITLE: 2050RS Soil Tank Assy
www.shades-techniques.com Tel: +44 (0)181 513 3333 Fax: +44 (0)181 513 3333		MATERIAL: - FINISH: Leak Tested - Swarf Free

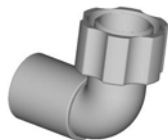


Soil Tank
Cat No: VB733100
Volvo Part No: 70371872



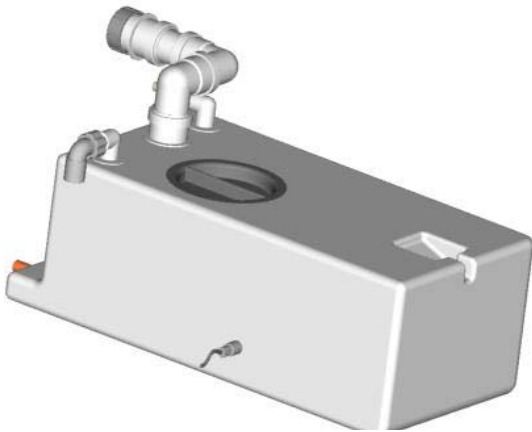
1

Elbow $\frac{3}{4}$ " x $\frac{3}{4}$ " Tank Fitting
Cat No: VB744003
Volvo Part No: 70371896



2

21.5mm x $\frac{3}{4}$ " Elbow
Cat No: VB744002
Volvo Part No: 70378190



Assembled Hand wash Tank
With Fittings
Cat No: VB733080
Volvo Part No: 70371850



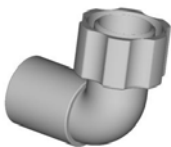
1

Handwash Pump
Cat No: VB702110
Volvo Part No: 70368755



4

$\frac{3}{4}$ " Swivel Hose Connector
Cat No: VB744005
Volvo Part No: 70371892



6

21.5mm x $\frac{3}{4}$ " Elbow
Cat No: VB744002
Volvo Part No: 70378190



8

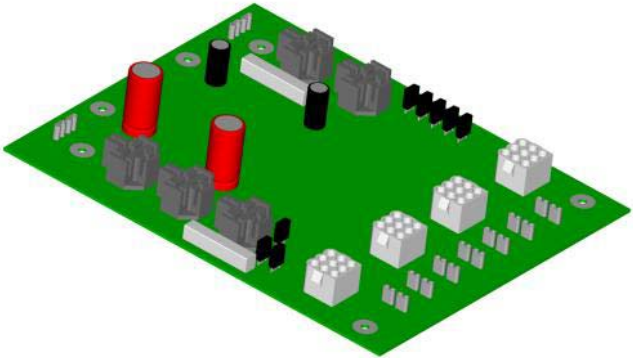
Elbow $\frac{3}{4}$ " x $\frac{3}{4}$ " Tank Fitting
Cat No: VB744003
Volvo Part No: 70371896

NO	NAME	PART NO.	QTY
1	PCB BOARD	VB730615	1
2	PRESSURE REGULATOR	VB735745	1
3	SONIC VALVE	VB730615	1
4	FASCIA FOAM 15MM	VB735745	1
5	ALARM BUZZER	VB730620	1
6	OCCUPIED LAMP		1
7	A2050054 B FASCIA		1
8	FIXING SCREWS M4 X 25 POZI	VB713006	6
9	M4 PLAIN WASHER	VB713065	1
10	NYLON SPACERS M4 X 6.5	VB713042	4
11	WASHER M4 PLAIN	VB713065	6
12	RIVET 5MM x 19MM Csk	VB713090	2
13	SCREW SELFTAP 2MM x 12MM	VB713001	2

See Detail B Detail B

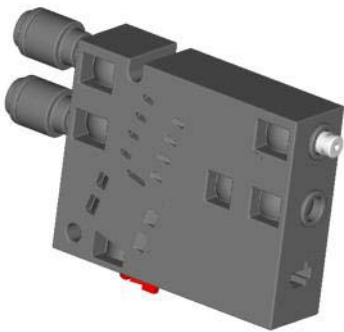
Shades Technics 100, rue de la République 44100 Nantes Tel: 02 41 50 50 50 Fax: 02 41 50 50 50 www.shades-technics.com	DATE: 27/01/03 SCALE: N.T.S. Dessiné: A Date: 27/01/03 Mod No: 1	MATERIAL: - FINISH: - TITLE: 2050RS Body-Side Fascia Assembly	Drawing No: ST5221 Drawn By: L.Potmore Part No: E2050054
---	--	---	--

Cubicle Front Fascia Spares



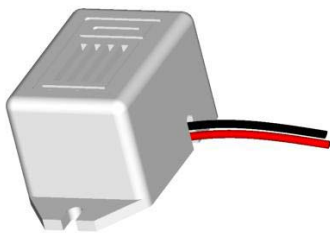
1

PCB Control Board
Cat No: VB730615
Volvo Part No: 70368772



3

Isonic Valve
Cat No: VB735714
Volvo Part No: 70368764



5

Buzzer
Cat No: VB730620
Volvo Part No: 70368818



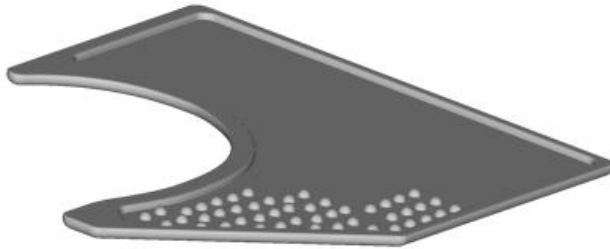
6

210mm Grab Handle
Cat No: VB661165
Volvo Part No: 70368800



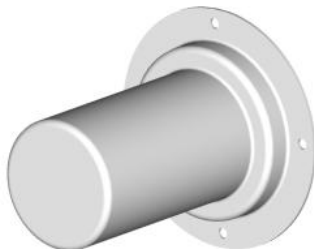
7

Floor/Sink Drain
Cat No: VB701550
Volvo Part No: 70368794



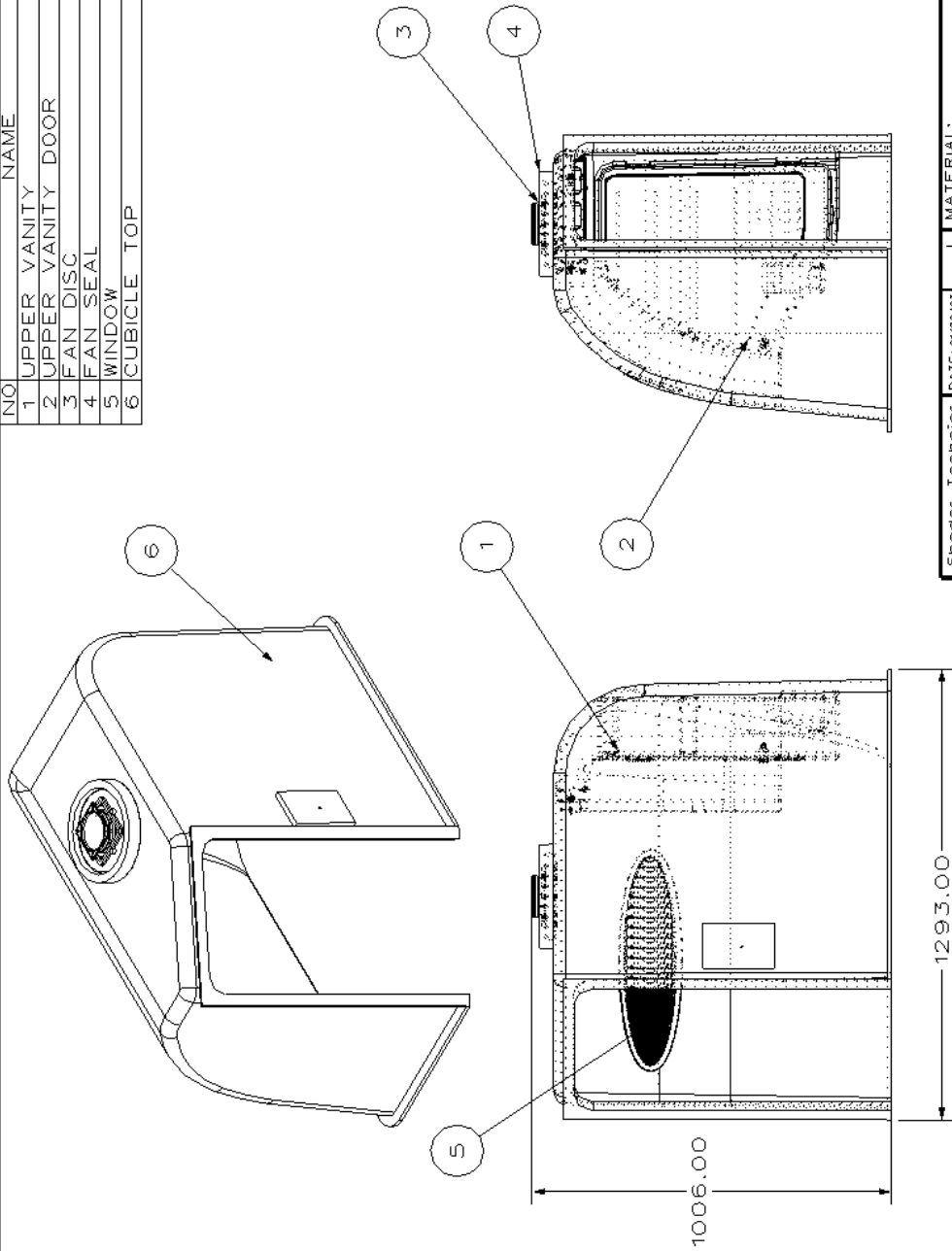
11

Floor Mat
Cat No: VB661475
Volvo Part No: 70368652



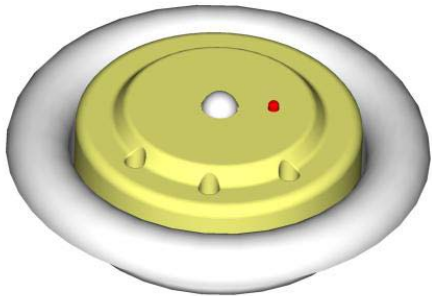
Toilet Roll Holder
Cat No: VB661616
Volvo Part No: 70371848

NO	NAME	PART NO.	QTY
1	UPPER VANITY	E2050005	1
2	UPPER VANITY DOOR	E2050006	1
3	FAN DISC	E2050007	1
4	FAN SEAL	VB661498	1
5	WINDOW	VB661050	1
6	CUBICLE TOP	A2050007	1

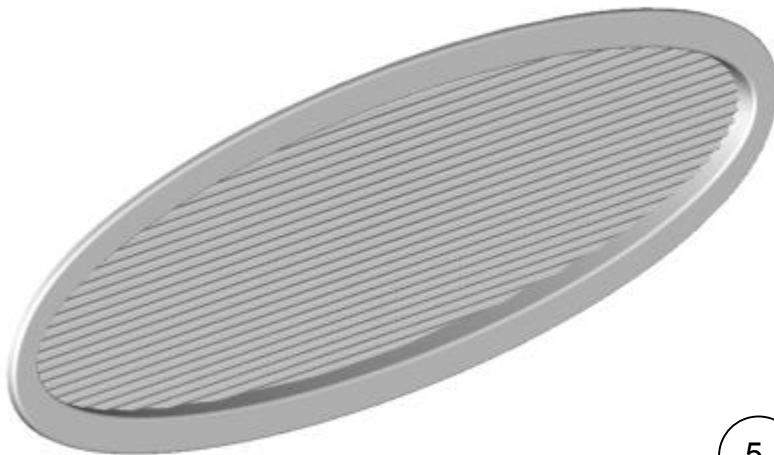


Shades Technics Quality Product Design & Manufacturing Partnership Support For 1998-2008	DATE: 2/02/03 SCALE: N.T.S.	Issue Date A 2/02/03	Revision 1	MATERIAL: -	Drawing No. ST5219
This drawing is the private property of Shades Technics. It is to be used only for the purpose intended and returned to Shades Technics if it is misplaced, lost, or otherwise discovered. No reproduction or distribution is permitted without written permission from Shades Technics.	Issue Date A 2/02/03	Revision 1	FINISH: -	Drawn By L.Patmore	Part No. E2050052
***** Part No. 100000 20000 ***** www.shades-technics.com				TITLE: 2050RS CUBICLE TOP ASSEMBLY	





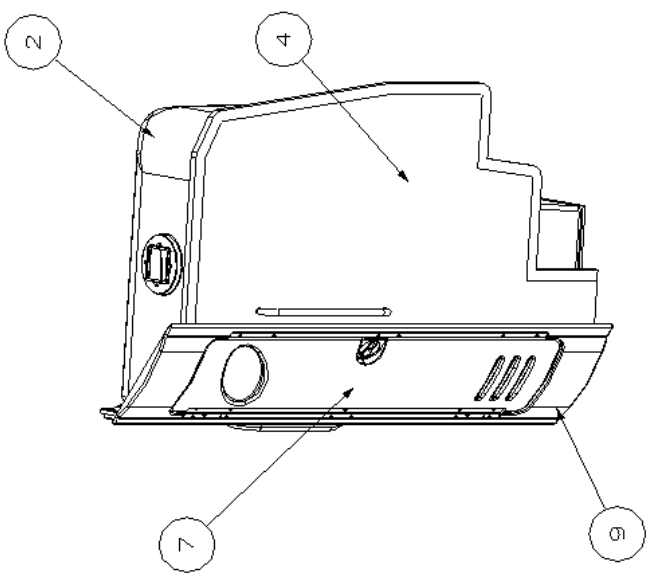
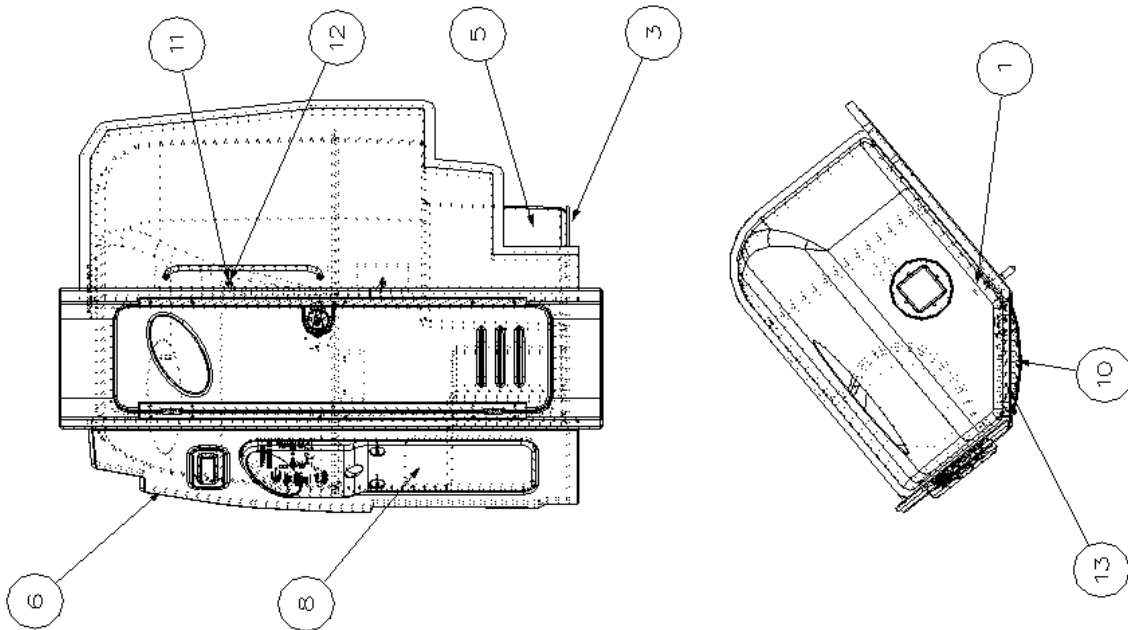
PIR Sensor Assy
Cat No: VB712025
Volvo Part No: 70368810



5

Window
Cat No: VB661050
Volvo Part No: 70371852

NO	NAME	PART NO.	QTY
1	GRAB HANDLE (internal)	VB661160	1
2	E2050052 TOP		1
3	E2050025 BASEBOARD		1
4	E2050053 AISLE FASCIA		1
5	E2050051 BASE		1
6	E2050054 BODY-SIDE FASCIA		1
7	E2050055 DOOR		1
8	E2050057 WC ACCESS PANEL		1
9	E2050058 DOOR FASCIA		1
10	KICK GUARD	VB713295	1
11	BOLT M6 X 40MM HEX HEAD	VB713031	2
12	M6 X 25MM PENNY WASHER	VB713058	2
13	Nc6 X 12MM SELF TAP SCREW	VB713050	3



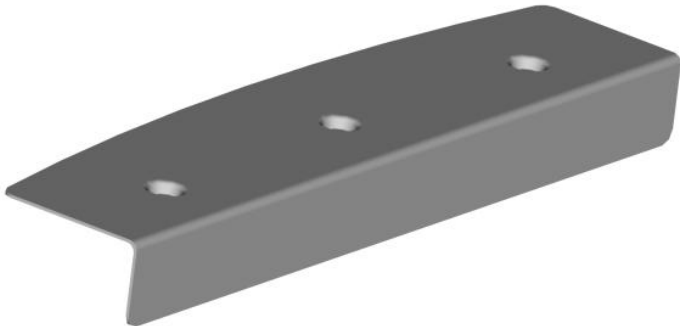
Shades Technics Design & Manufacturing Services, England Tel: 0144 504400		DATE: 09/03/03 SCALE: N.T.S.	DRAWING No. ST5233
THIS DRAWING IS THE PROPERTY OF SHADES TECHNICS LTD (SHADES TECHNICS) IT MUST NOT BE REPRODUCED OR TRANSMITTED IN ANY FORM OR BY ANY MEANS, ELECTRONIC OR MECHANICAL, INCLUDING PHOTOCOPYING, RECORDING, OR BY ANY INFORMATION STORAGE AND RETRIEVAL SYSTEM, WITHOUT THE WRITTEN PERMISSION OF SHADES TECHNICS LTD.		DATE: 09/03/03 SCALE: A	DRAWING BY: L.Patmore
DRAWING No. ST5233	DATE: 09/03/03 SCALE: A	DRAWING No. F2050051	DRAWING No. F2050051
TITLE: 2050RS Final Assembly			





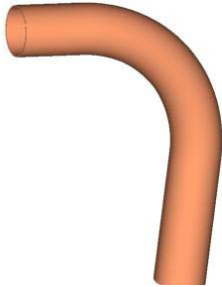
1

610mm Grab Handle
Cat No: VB661160
Volvo Part No: 70368774

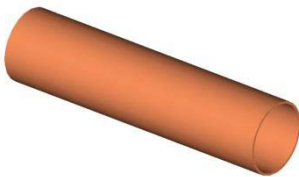


10

Kick Guard
Cat No: VB713295
Volvo Part No: 70368761



110mm Sweep Bend x 1000mm long
Cat. No.: VB735755
Volvo Part No. 70371864



110mm Sweep Bend Extension
Cat No: VB735756



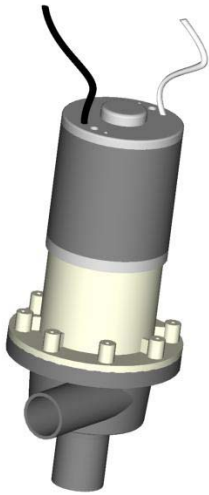
110mm Soil Pipe Coupling
Cat No: VB735757



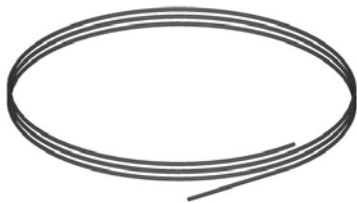
110mm Straight Pan Connector with Gasket
Cat No: VB735759



90mm ID x 38mm Grey Socket Ring
Cat No: VB735762



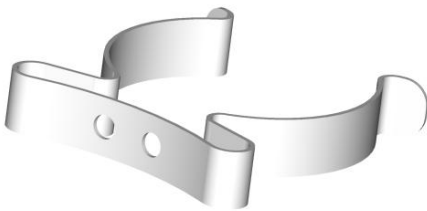
Flush Pump
Cat No: VB702180
Volvo Part No: 70368753



4mm Air Pipe
Cat No: VB735722
Volvo Part No: 980830



Clear Plastic Insulation Sleeve 6.1 x 7.9
Cat No: VB713047



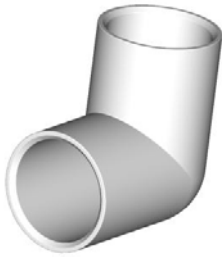
Terry Clip
Cat No: VB713285
Volvo Part No: 70371905



Door Striker Angle
Cat No: VB661860
Volvo Part No: 70368757



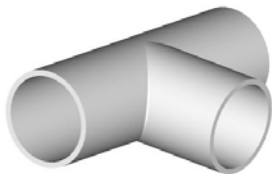
Wing Nuts
Cat No: VB713155
Volvo Part No: 70368778



Knuckle Bend
Cat No: VB744120
Volvo Part No: 70371889



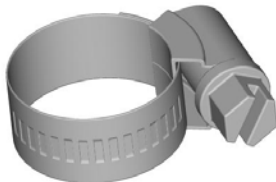
Shut off Tap
Cat No: VB747037
Volvo Part No: 70371895



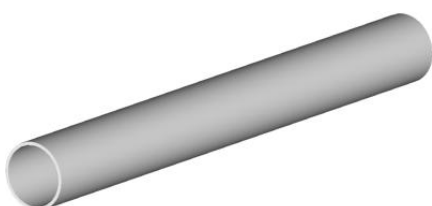
T Push Fit
Cat No: VB744121
Volvo Part No: 70371899



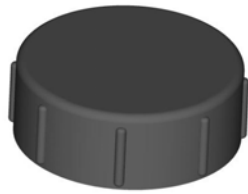
1/2" Potable Hose
Cat No: VB744030
Volvo Part No: 70371923



12-22 Hose Clip
Cat No: VB744041
Part No: 943471



21.5mm Rigid Pipe
Cat No: VB747055
Volvo Part No: 70371897



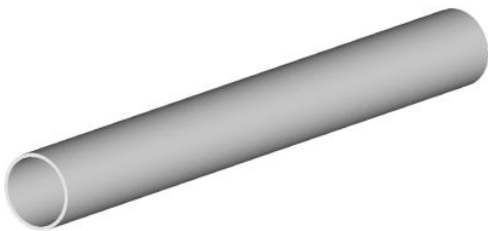
Black End Cap
Cat No: VB732061



Tank Connector
Cat No: VB732064



Swivel Bend
Cat No: VB732063



40mm Pipe
Cat No: VB732062



Hose Barb
Connector 15mm x
½" Speedfit
Cat No: VB747027



15 mm Stem Elbow Connector
Cat No: VB744122
Volvo Part No: 73068818



No Standing
Cat No:735560



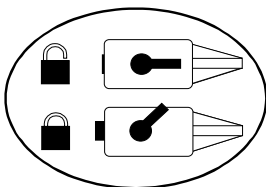
Emergency Alarm
Cat No:735566



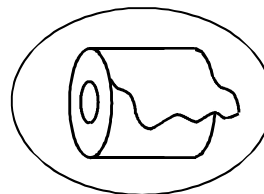
No Smoking
Cat No:735563



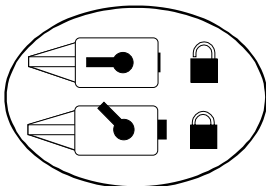
Shades Technics
Cat No:735568



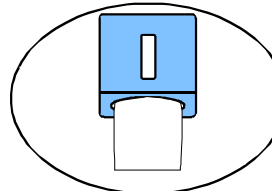
Door Lock LH
Cat No:735571



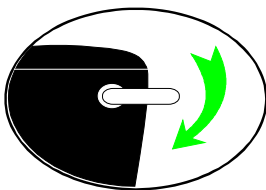
Toilet Roll
Cat No:735569



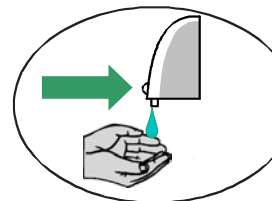
Door Lock RH
Cat No:735564



Hand Towel Dispenser
Cat No:



Flush
Cat No:735562



Soap Dispenser
Cat No:



Hand wash
Cat No:735561



Litter Bin
Cat No:735567

Full Set Of Labels
Cat No: VB735570 Volvo Part No: 70368783
 Please specify **LEFT** or **RIGHT** hand cubicle when placing order for labels

