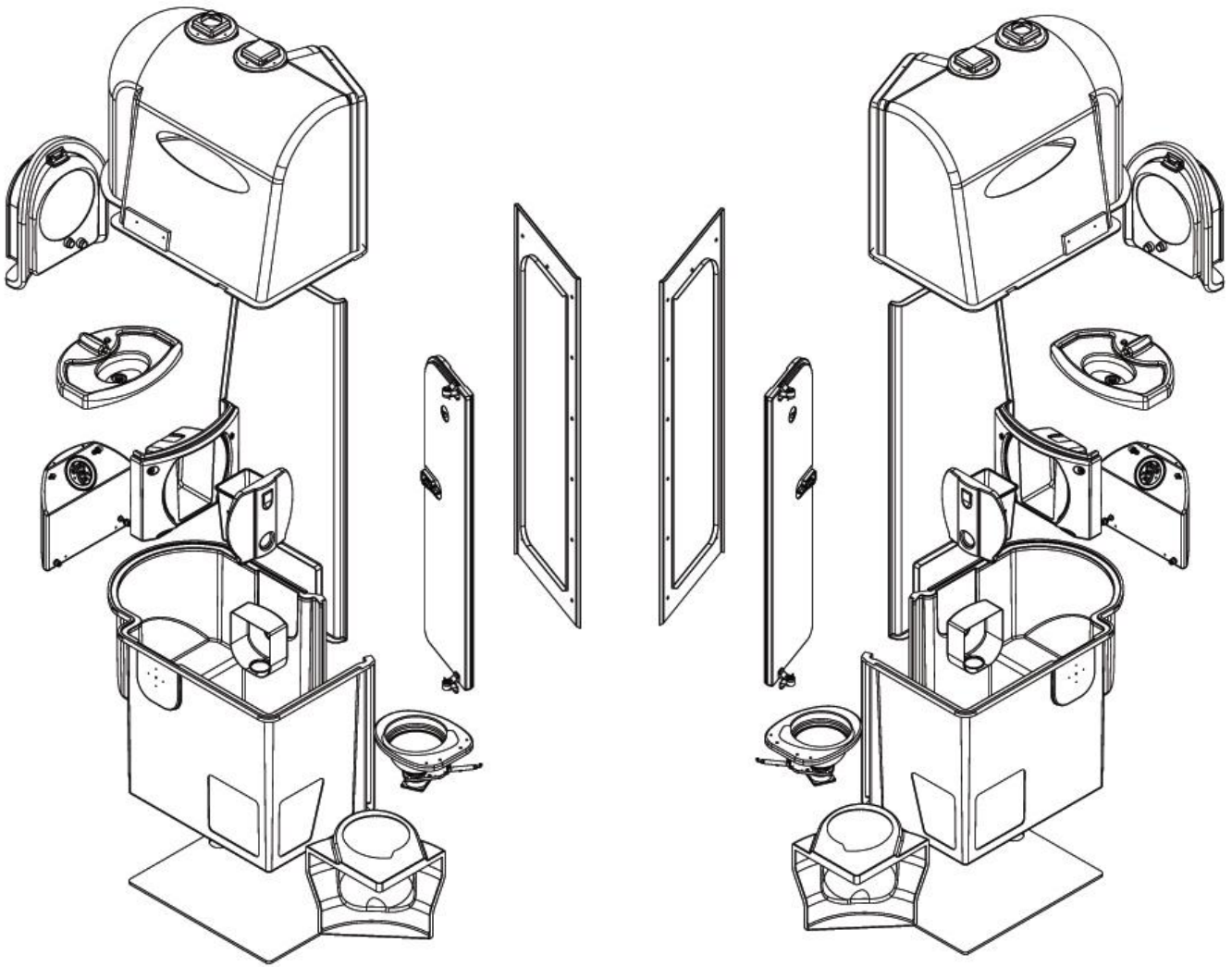


Shades Technics

2051 & 1502 Toilet Cubicle



Manual

CUBICLE OPERATING INSTRUCTIONS	3
CLEANING & HYGENE	4
CUBICLE MAINTENANCE	5-7
WARRANTY CLAIMS	8
SPARE PARTS CATALOGUE	
• Door	9
• Sink	11
• Vanity	13
• Vanity Door	15
• Upper Vanity	17
• Upper Vanity Door	20
• Roll Holder	24
• Toilet Bowl	26
• Flush Tank	28
• Soil Tank	30
• Handwash Tank	32
• Cubicle Base	34
• Cubicle Top	36
• External	39
• Baby Changer	41
• General Spares	43
• Legends	46
PARTS REPLACEMENT INSTRUCTIONS	45


To Switch The Cubicle On:


Engage the WC Master switch on the dashboard. The cubicle interior lamp will turn on for 30 seconds and the vacant lamp will come on after 1 minute. The cubicle is now ready to use. *(It is recommended that the vehicle engine is running)*


Cubicle Interior Light:

On entry, the interior lamp will come on automatically and illuminate the "Occupied" lamp. The interior lamp is controlled by a movement sensor which will switch off the light automatically shortly after the cubicle is vacated and illuminate the "Vacant" lamp.

To Flush The Toilet:


Push the flush button  once to flush the toilet with a set quantity of water. Should a further flush be required, wait for the flush cycle to complete then press the button again. NOTE: The toilet will flush automatically if the cubicle is vacated without flushing first. (optional)

(When the holding tank is full, the dashboard LED  will illuminate and the "Occupied" lamp will signal. The toilet is now out of use until the holding tank is emptied.

(When the clean water tank is empty the dashboard LED  will illuminate and the "Occupied" lamp will signal. The toilet is now out of use until the water tank is re-filled.)

To Wash Your Hands:

Depress the handwash button  once to dispense a set amount of water.

(When the handwash tank is empty the dashboard LED  will illuminate to alert the driver..)

In Case of Emergency:

Depressing the red alarm button will alert the driver and sound a buzzer.

Cubicle Extractor Fan:

The ventilator fan runs at half speed when the cubicle is vacant and switches to full speed when the cubicle is occupied.

Water Tank Filling & Emptying

Tanks are filled via the hose connectors located in the side locker. Both have the option of manual fill:- The handwash 40mm fill pipe is accessed by removing the litter bin and the flush tank, fitted with a 100mm screw cap, can be accessed through the floor trap.

The holding tank is emptied by firmly pulling the handle on the slide valve fitted underneath the tank.

Cubicle Cleaning

The cubicle is manufactured from Glass Reinforced Plastic (GRP) with high gloss interior and lightly textured exterior surfaces. This surface finish is delicate and must only be washed down using a mild detergent. The use of a caustic or abrasive material is not recommended, as this will affect the appearance.

Toilet Bowl Cleaning

To protect the finish of the Stainless Steel toilet bowl do not use abrasives of any kind. To clean the bowl, use a mild anti-bacterial detergent and suitable brush.

Litter Bin

The cubicle features a plastic bin located in sink area. Removing this bin gives access to the 40mm fill pipe and drain tap for the hand wash tank. The use of a bin liner is recommended.

Soap Dispenser

To fill the dispenser, unlock the mirror cabinet, lift the lid of the dispenser and fill with liquid soap.

Toilet Roll

It is recommended that a high biodegradable paper is used at all times.

Domestic grade toilet paper is not recommended as this can block the system.

The toilet roll is located inside the lower vanity door. Unlock and open the door, slide the roll onto the spindle.

Daily Routine

- Prior to the vehicle entering service the holding tank should be charged with an additive to sanitise the effluent.
- The recommended product is **Shades Super Sani ECO**, formulated from natural essential oils, this formaldehyde-free formula is contained within a water soluble membrane. A single 16 gram sachet contains the recommended dosage for 110 litre capacity holding tank and will function for a maximum of three days.
To apply:
 1. Ensure the holding tank is empty.
 2. Check the tank evacuation valve is closed
 3. Check the WC clean water tank is full.
 4. Switch on power to the cubicle (see page 3)
 5. Press the flush button to open the toilet valve and drop the complete sachet into the bowl.

Caution
Do not open the sachet .

- It is recommended that the WC supply tank is drained and the holding tank is emptied at the end of every day.
- The daily addition of a couple of drops of mild detergent into water resting in the toilet bowl will lubricate the slider and protect the seal.
- The hand wash tank should be emptied and re-filled daily. To help maintain a clean tank and freshwater the use of a sanitiser is recommended. Shades can supply a suitable product that disinfects the water, that is safe to drink and non-irritable to the skin and eyes. **Cat No. 800060**

Weekly Routine

- Check extractor fan function.
- Inspect the security of the faucet, door hinges and toilet seat. Check the operation of the cubicle door and lock function. Test alarm button and buzzer function.
- Open vanity door, check electrical and plumbing connections for security and leaks.
- Check water flow to the hand basin is smooth and constant.

Quartely Routine

- Flush out holding tank with clean water. (the holding tank must be empty and the vehicle positioned so that the holding tank evacuation valve is over a sewage drainage point)
To flush out:
 1. Switch on the cubicle.
 2. Connect a hosepipe to a mains water supply.
 3. Depress the flush button once to open the slide valve.
 4. When the valve opens, insert the end of the hose pipe down through the bowl, into the soil pipe. When the valve closes the hose will be held into position by the paddle pressure.
 5. Turn on the water to the hose pipe and fill the holding tank, being careful not to overfill.
 6. Switch off the water to the hose and open the evacuation valve to empty the tank.
 7. Press the flush button to open the valve and remove the hosepipe.
- Lubricate holding tank evacuation valve. (to be carried out immediately after flushing through the holding tank).
Undo the four fixing bolts holding the soil valve assembly together and remove the main body section. Lubricate the slide paddle using lithium grease or similar so the open/close operation is smooth. Replace the valve body and bolt together. Do not over tighten as this will restrict the operation of the valve.
- Disinfect the hand wash tanks and flush through with clean water.

Winterization

If the vehicle is to be parked in zero or sub-zero temperatures, it is imperative that all water containers are completely drain beforehand.

Note

No warranty claims will be accepted on any winter damaged parts.

Jump Starting

When jump starting the vehicle, please ensure that the dashboard master Switche, **WC**, is off!

Fault Reporting Procedure

1. In the unlikely event of a fault occurring an emergency parts kit has been supplied along with the enclosed comprehensive fault analysis flow chart
2. Using these charts, determine the cause of the fault and replace the faulty item from the kit if possible.
3. To order a replacement kit or non-kit part contact the dealer as specified on the contents page (Page 2) of this manual, quoting the cubicle serial number.
4. In order for replacement goods to dispatched a simple warranty procedure must be followed.

Notes:

- **Tampering, unauthorised involvement or preventable damage will result in a charge being levied**

Shades Technics offer a comprehensive warranty cover for all products, valid for 24 months from the vehicle's date in service.

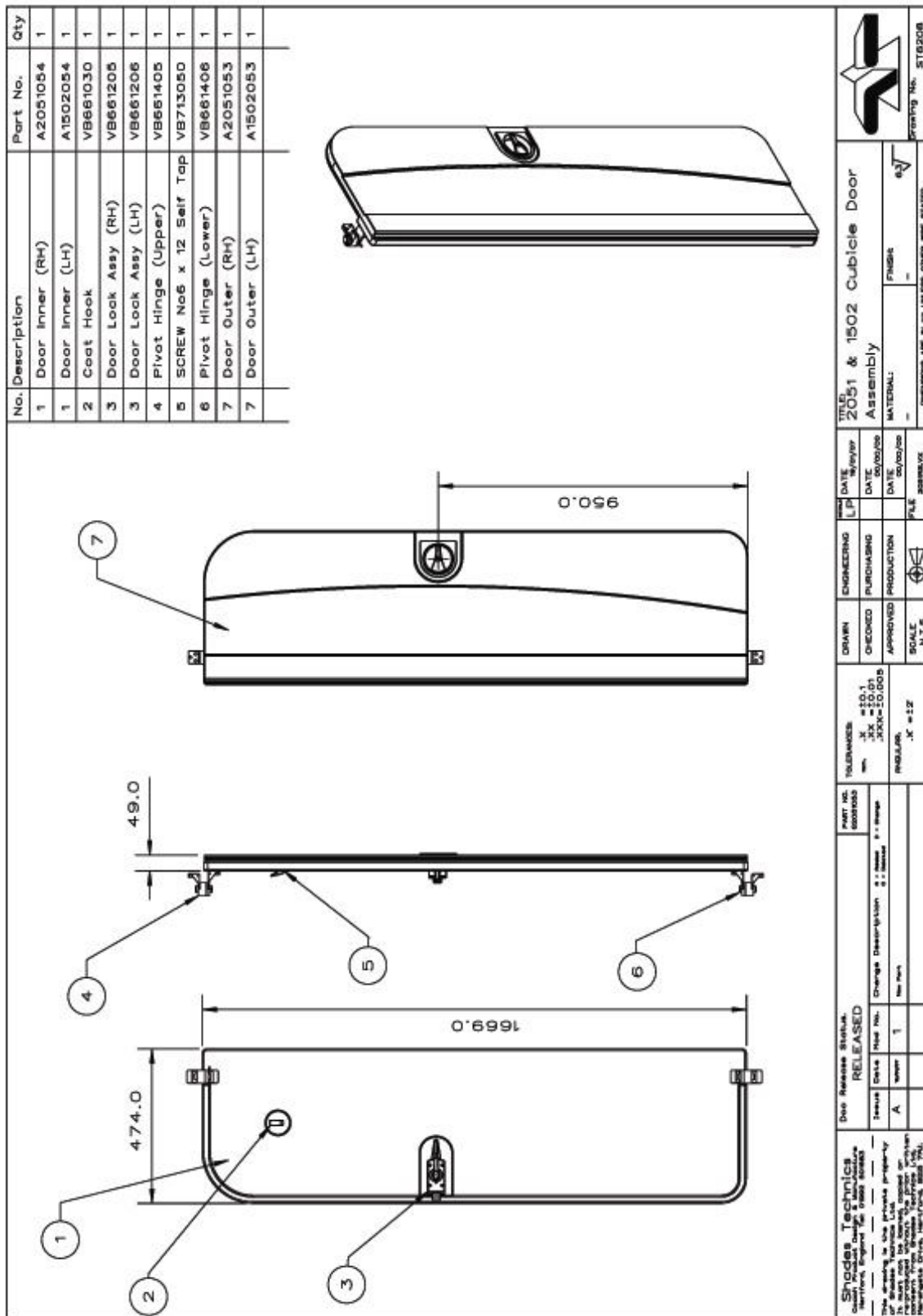
Contact the dealer or supplier from where the vehicle was purchased.

The dealer/supplier will then contact Shades Technics who will fax a warranty claim form to the customer.

Complete the warranty claim form, ensuring all details are filled in and fax back to Shades Technics on +44 (0)1992 501669

Shades Technics will dispatch any parts required or organise rectification via one of the service points listed at the back of this parts & service manual

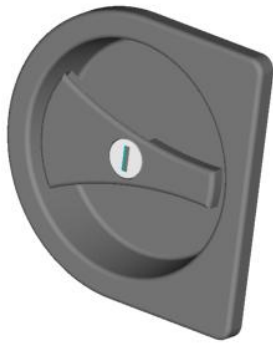
Please return any fault parts which have been replaced under warranty within 14 days or a charge may be levied





2

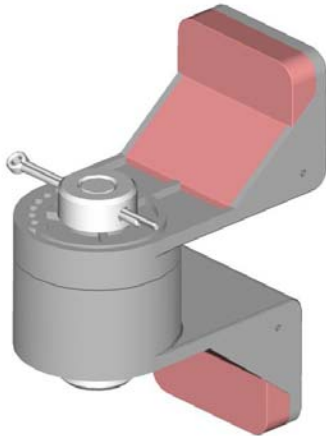
Coat Hook
Cat No. VB661030
Volvo Part No. 70371854



3

Door Lock for RH Cubicle
Cat No: VB661206
Volvo Part No: 70368776

Door Lock for LH Cubicle
Cat No: VB661205
Volvo Part No: 70368776



4

Upper Pivot Toilet Door Hinges
Cat No: VB661405
Volvo Part No:

Lower Pivot Toilet Door Hinges
Cat No: VB661406
Volvo Part No: 210336935

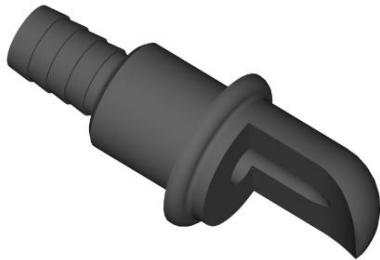
No.	Description	Part No.	Qty
1	Sink Moulding	B2051001	1
2	Sink Waste	VB701552	1
3	Tap	VB663603	1
4	Hand Wash Button (bk)	VB714007	1
5	1/2" BSP Backnut	VB695504	1

Shades Technics North, South, West, East & International The drawing is the property property of Shades Technics Ltd. It shall not be reproduced, stored in a retrieval system, or transmitted, in any form or by any means, electronic, mechanical, photocopying, recording, or by any information storage and retrieval system, without the prior written permission of Shades Technics Ltd. 2008 TPL	Doc Release Status: RELEASED	Part No.: B2051001	Title: 2051 & 1502 Sink Assembly (Fits LH & RH Cubicles)
Issue: A	Issue Date: 1	Change Description: 1 - Initial 2 - Revised 3 - Design 4 - New Assembly	DATE: 15/06/07
Scale: 1	Scale: N.T.S.	Checked: [Signature]	DATE: 15/06/08
Material: -	Scale: 1:2	Approved: [Signature]	DATE: 15/06/08
File: -	Scale: N.T.S.	Production: [Signature]	DATE: 15/06/08
File: -	Scale: N.T.S.	Production: [Signature]	DATE: 15/06/08



2

Sink Drain
Cat No: VB701552
Volvo Part No:



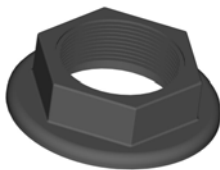
3

Faucet
Cat No: VB663603
Volvo Part No: 70368847



4

Hand wash Button
Cat No: VB714007
Volvo Part No: 70368804

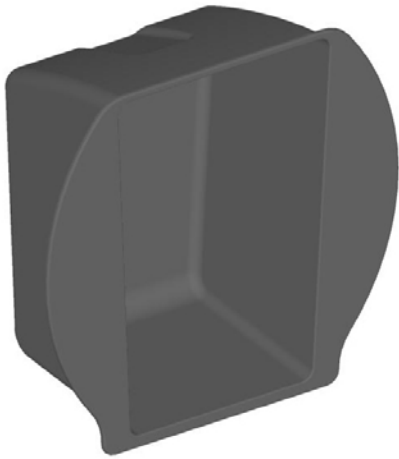


5

1/2" BSP Back Nut
Cat No: VB695504
Volvo Part No: 70368849

No.	Description	Part No.	Dwg No.	Qty
1	Lower Vanity	C2051002	ST6269	1
2	Bin Liner	VB661047	ST6247	1
3	Alarm Button	VB714030	ST5150	1
4	Edgemount Hinge	VB661410	ST5173	2
5	Flush Button	VB714007	ST5151	1
6	Anti-Vibration Pads	VB713516	ST6429	2

Shades Technics 10000, 10000, 10000, 10000 The drawing is the private property of Shades Technics. It shall not be re-used, copied or reproduced in any form without the written permission of Shades Technics.		Doc Release Status: RELEASED Status: 1 - New, 2 - Change, 3 - Release, 4 - Cancel, 5 - Withdrawn, 6 - Deleted, 7 - Obsolete, 8 - Cancelled, 9 - Withdrawn, 10 - Deleted
Part No. C2051002 Title: 2051 & 1502 Lower Vanity (Fits Both RH & LH Cubicles)	Date: 10/01/00 Date: 10/01/00 Date: 10/01/00	File: 00000000
Drawn: [Signature] Checked: [Signature] Approved: [Signature]	Engineering: [Signature] Purchasing: [Signature] Production: [Signature]	Scale: N.T.S. Material: FRP Finish: -
Tolerances: .XX = ±0.01 .XXX = ±0.005 .XXXX = ±0.0025 FINISH: N.T.S.	File: 00000000	Drawing No.: DT6203



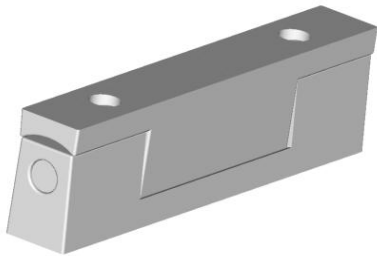
2

Litter Bin Liner
Cat No: VB661047
Volvo Part No: 21036942



3

Alarm Button
Cat No: VB714030
Volvo Part No: 70368806



4

Edgemount Hinge
Cat No: VB661410
Volvo Part No: 70371880



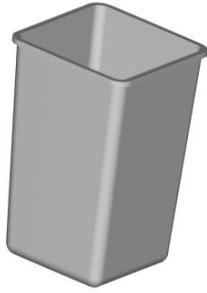
5

Flush Button
Cat No: VB714007
Volvo Part No: 70368804

No.	Description	Part No.	Qty
1	10ltr Plastic Bin	VB661040	1
2	Bin Door	E2051003	1
3	Screw Knob - Black	VB661030	1
4	Bin Clamp	VB661847	1
5	Bin Bracket	VB661845	1
6	Sprung Stay	VB661253	2
7	Bin Handle	VB661215	1
8	Ball Catch	VB661846	1

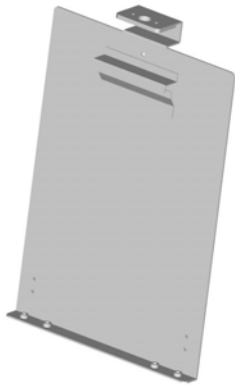
Shades Technics New Product Design & Manufacturing		Doc Release Status: RELEASED		PART NO. E2051003		TITLE 2051 & 1502 Bin Door (Fits RH & LH Cubicles)		DATE 20/09/09		FILE 200909XX	
This drawing is the property of Shades Technics and shall not be loaned, copied or reproduced in any form without the prior written consent of Shades Technics, 1000 Northgate Drive, Northbrook, IL 60062, USA.		Change Description: 0 - Initial 1 - Revise Per Rev		TOLERANCES: mm .X = ±0.1 .XX = ±0.01 .XXX = ±0.005		DRAWN CHECKED APPROVED		ENGINEERING PURCHASING PRODUCTION		MATERIAL FINISH	
Scale: 1:1		Scale: N.T.S.		DATE 20/09/09		DATE 20/09/09		DATE 20/09/09		DATE 20/09/09	
Author: A		Check: A		Drawn: A		Purchased: A		Produced: A		Material: A	
Drawing No. 510204											

Cubicle Vanity Door Spares



1

Litter Bin
Cat No: VB661040
Volvo Part No: 70371842



3

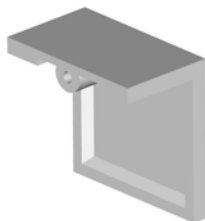
Litter Bin Bracket
Cat No: VB661845
Volvo Part No:



Litter Bin Catch
Cat No: VB661846
Volvo Part No:



Litter Bin Stays
Cat No: VB661253
Volvo Part No: 21036923



Litter Bin Handle
Cat No: VB661215
Volvo Part No: 21036932

Cubicle Upper Vanity Spares (hand towel)

No. Description	Part No.	Drg No.	Qty
1 Upper Vanity	C2051005	ST6271	1
2 Paper Towel Holder	VB661626	ST6256	1
3 Door Stays	VB661254	ST6242	2
4 Edgemount Hinge	VB661410	ST5173	1
5 Upper Vanity Bracket	VB661255	ST6319	1
6 Soap Dispenser	VB661660	ST5160	1
7 Anti-Vibration Pads	VB713516	ST6429	2

180.0
0.089

560.0

NOTE
This configuration is for units Fitted with the Hand Towel

Shoades Technics
HERNIM, ENGLAND

Doc Release Status:
RELEASED

Issue	Date	Issue No.	Change Description
B		2	
C		3	

© Shoades Technics, 2005. All rights reserved.
 No part of this document may be reproduced without the prior written permission of Shoades Technics, 2005.

ENGINEERING	DATE: 06/06/07
PURCHASING	DATE: 02/02/08
PRODUCTION	DATE: 05/04/08
FILE	00000000

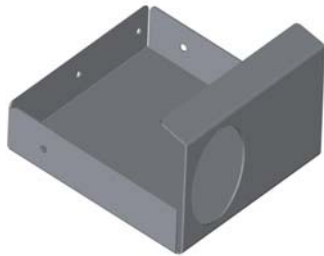
TITLE: 2051 & 1502 Upper Vanity
 (Fits Both RH & LH Cubicles)
 MATERIAL: FRPS
 FINISH: e3
 DRAWING NO.: ST6259

Cubicle Upper Vanity Spares (hand dryer)

No.	Description	Part No.	Qty
1	Upper Vanity	E2051005	1
2	Electric Hand Dryer	VB661800	1
3	Door Stays	VB661254	2
4	Edgemount Hinge	VB661410	1
5	Upper Vanity Bracket	VB661255	1
6	Grommet	VB661211	1
7	Soap Dispenser	VB661660	1
8	Hand Dryer Connector	VB661796	2

Shades Technics North, Toronto, Ontario, Canada	Doc Release Status: RELEASED	PART NO. E2051005	DATE DATE DATE
The drawing is the private property of Shades Technics. It shall not be retransmitted, copied or used in any way without the prior written consent of Shades Technics. The information herein is provided "AS IS" without warranty.	Change Description: A - New B - Amend C - Change	ENGINEERING CHECKED APPROVED SCALE N.T.S.	DATE DATE DATE
REV. NO. 1	DATE 10/01/00	FILE	DATE 10/01/00
TITLE: 2051 & 1502 Upper Vanity (Fits Both RH & LH Cubicles)		MATERIAL: FRP%	
DRAWING NO.: DTB206		DRAWING DATE: 04/01/00	

Cubicle Upper Vanity Spares



2

Hand Towel Dispenser
Cat No: VB661626
Volvo Part No:



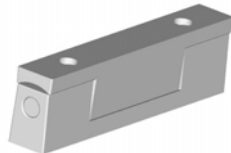
2

Electric Hand Dryer (option)
Cat No: VB661800
Volvo Part No:



3

Vanity Stays
Cat No: VB661254
Volvo Part No: 21036927



4

Vanity Door Hinge
Cat No: VB661410
Volvo Part No: 70371880



5

Vanity Stay Bracket
Cat No: VB661255
Volvo Part No:



6/7

Soap Dispenser
Cat No: VB661660
Volvo Part No: 70368799

Cubicle Upper Vanity Door Spares

No. Description	Part No.	Qty
1 Upper Vanity Door	B2051008	1
2 Mirror	VB661822	1
3 Hand Dryer Push Plunger	VB714015	1
4 Hoppich Lock	VB661217	1
5 Upper Vanity Bracket	VB661255	1
6 Retainer Ring	VB661211	1
7 Retainer Ring	VB661216	1
8 3/4" Back Nut	VB695505	2
9 Soap Push Plunger	VB714014	1

4.30.00

608.00

Ø358.00

NOTE
This configuration is for units Using the Optional Hand Dryer

Shades Technologies Houston, England Tel: 0203 307825		Doc Release Status		DATE		TITLE	
RELEASED Issue Date: <input type="checkbox"/> Hold No: <input type="checkbox"/> Change Description: <input type="checkbox"/> Amend: <input type="checkbox"/> Drawn: <input type="checkbox"/>		A: <input type="checkbox"/> B: <input type="checkbox"/>		DATE: 02/02/07 DATE: 02/05/00 DATE: 02/05/00		2051 & 1502 Upper Vanity Dr (Fits Both RH & LH Cubicles)	
TOLERANCES: mm: .X .X = 20.1 .XXX = 15.0/15.0/15.0		DIMENSIONS: CHECKED: <input type="checkbox"/> PURCHASED: <input type="checkbox"/> APPROVED: <input type="checkbox"/> SCALE: 1:1.5		ENGINEERING: <input type="checkbox"/> PRODUCTION: <input type="checkbox"/> FILE: 309/BAVK		MATERIAL: <input type="checkbox"/> FINISH: <input type="checkbox"/>	
RELEASED: .X = 1:2		APPROVED: <input type="checkbox"/> SCALE: 1:1.5		FILE: 309/BAVK		DRAWING NO.: STB207	

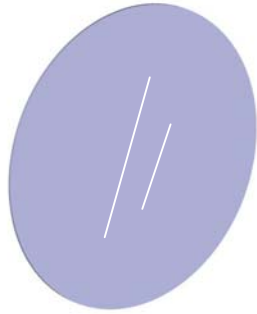
Cubicle Upper Vanity Door Spares

No.	Description	Part No.	Qty
1	Upper Vanity Door	B2051008	1
2	Mirror	VB661822	1
3	Push Plunger	VB714014	2
4	Happich Lock	VB661217	1
5	Upper Vanity Bracket	VB661255	1
6	Retainer Ring	VB661218	1
7	Retainer Ring	VB661216	1
8	3/4" Back Nut	VB595505	1

NOTE
This configuration is for units
Using the Hand Towel Holder

Shades Technics 10000, 10000, 10000, 10000 This drawing is the private property of Shades Technics. It shall not be reproduced, copied or transmitted in any form or by any means, electronic, mechanical, photocopying, recording, or by any information storage and retrieval system, without the prior written permission of Shades Technics.		Doc Release Status: RELEASED	PART NO. B2051008	Change Description: B - Initial A - Material 1 - See Assembly	TOLERANCES: .XX = ±0.1 .XX = ±0.01 .XXXX = ±0.005 FINISH: .X = ZF	DRAIN CHECKED APPROVED PRODUCTION SCALE: N.T.S.	ENGINEERING FILE PURCHASING PRODUCTION	DATE: 05/05/2005 DATE: 05/05/2005 DATE: 05/05/2005	TITLE: 2051 & 1502 Upper Vanity Dr (Fits Both RH & LH Cubicles)	DRAWING NO. 516235
---	--	---------------------------------	----------------------	---	--	---	--	--	---	--------------------

Cubicle Upper Vanity Door Spares



2

Mirror
Cat No: VB661822
Volvo Part No:



3

Plunger
Cat No: VB714014
Volvo Part No:



4

Happich Lock
Cat No: VB661217
Volvo Part No: 70371935

Cubicle Upper Vanity Door Spares



6

Paper Towel Ring
Cat No: VB661211
Volvo Part No:



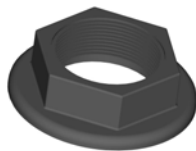
6

Hand Dryer Ring
Cat No: VB661217
Volvo Part No: 70371935



7

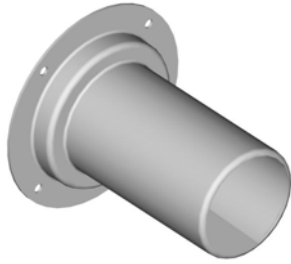
Soap Ring
Cat No: VB661216
Volvo Part No:



8

3/4" Back Nut
Cat No: VB695505
Volvo Part No:

Cubicle Roll Holder Spares



Toilet Roll Holder
Cat No: VB661617
Volvo Part No: 21036952



2

Happich Lock
Cat No: VB661217
Volvo Part No: 70371935



3

Toilet Roll Ring
Cat No: VB661221
Volvo Part No:

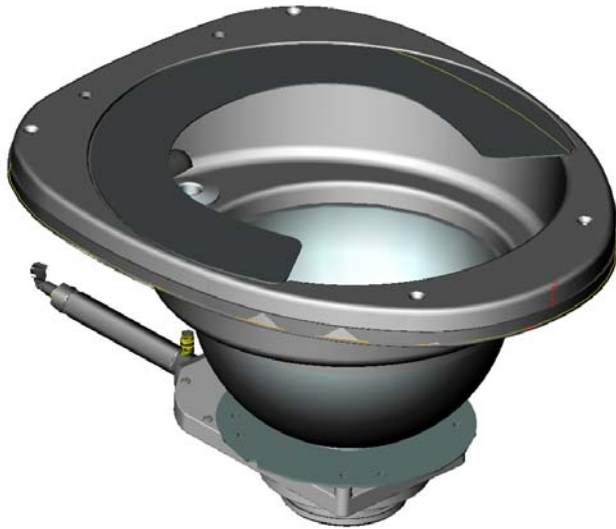
No.	Description	Part No.	Qty
1	Toilet Bowl Surround	-	1
2	Surround Seal	VB735736	1
3	Stainless Steel Bowl	-	1
4	Universal Steel Bowl Plate	-	1
5	Flush Faucet	VB663604	1
6	Overflow Backnut	VB695504	2
7	Overflow	VB663607	1
8	Splash Guard (Brushed Stainless Steel, 316)	VB731260	1

Bowl plate position in relation to the assembly centreline.

8x M6 Hank Bushes

SPECIFICATIONS		TOLERANCES:		MATERIAL:	
Scale	1:1	mm	±0.01	Material	Universal Stainless Steel Bowl with Welded Plate, General Assembly.
Unit	mm	inch	±0.0005	Finish	Polished
Drawn	1	Rev	1	Surface	Polished
Checked	1	Appr	2	Part No.	VB731255
Released	1	Drawn By		Drawn By	Alex Whitlow
Released	1	Checked By		Checked By	
Released	1	Released By		Released By	ST5969b

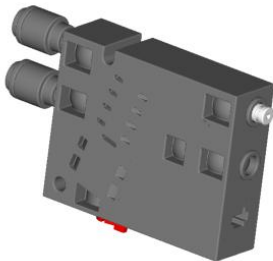
Cubicle Toilet Seat Spares



S/Steel Bowl (no seat)
Cat No: VB731250
Volvo Part No: 70368829



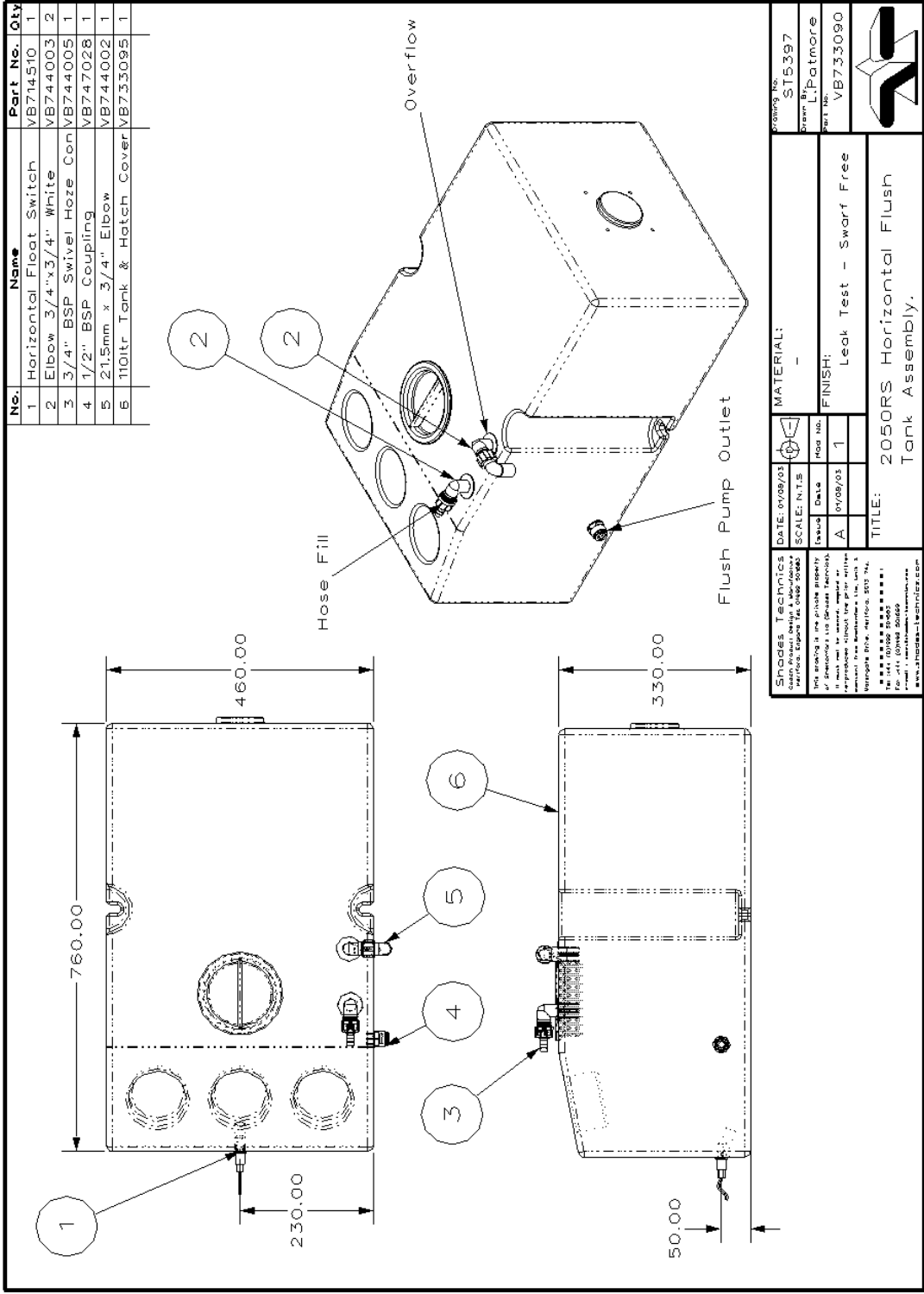
Swivel Straight 1/2" BSP – 1/2" Barbed end
Cat No: VB702521
Volvo Part No:



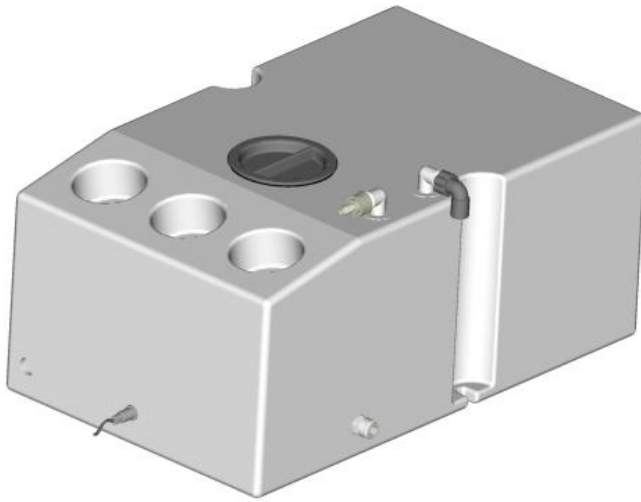
Isonic Valve
Cat No: VB735714
Volvo Part No: 70368764



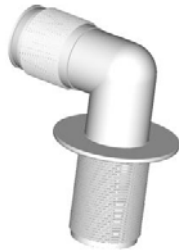
Piston and Slide Valve Assembly
Cat No: VB735713



22015 mm



Flush Tank
Cat No: VB733090
Volvo Part No: 70371876



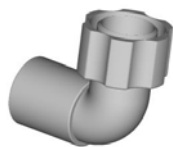
2

Elbow $\frac{3}{4}$ " x $\frac{3}{4}$ " Tank Fitting
Cat No: VB744003
Volvo Part No: 70371896



3

$\frac{3}{4}$ " Swivel Hose Connector
Cat No: VB744005
Volvo Part No: 70371892



5

21.5mm x $\frac{3}{4}$ " Elbow
Cat No: VB744002
Volvo Part No: 70378190

No.	Name	Part No.	Qty
1	Elbow 3/4" x 3/4" White	VB744D003	1
2	215mm x 3/4" Elbow	VB744D002	1
3	Horizontal Float Switch	VB714510	1
4	Dump Valve	VB735711	1
5	Large Slip Socket	VB735701	1
6	10ltr Tank & Hatch Cover	VB733105	1

External Mount Horizontal Float Switch

DATE: 3/07/03		SCALE: N.T.S.		MATERIAL: -	
Shades Technics 10000 Lakeside Dr. #2002 20023	Issue	Drawn By	Part No.	Drawing No.	
<small>This drawing is the sole property of Shades Technics and is not to be loaned, copied or reproduced in any form without the consent of Shades Technics Inc. Unit 2000 Lakeside Drive, Markham, ON L3R 9Y4. Tel: (905) 947-5888 Fax: (905) 947-5889 www.shades-technics.com</small>	Drawn	VB733100	VB733100	ST15398	
	Issue	1	1	L.Patmore	
	Scale	A	3/16/73as		
	Finish	Leak Tested - Swarf Free			
	Title	2050RS Soil Tank Assy			

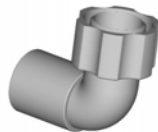


Soil Tank
Cat No: VB733100
Volvo Part No: 70371872



1

Elbow $\frac{3}{4}$ " x $\frac{3}{4}$ " Tank Fitting
Cat No: VB744003
Volvo Part No: 70371896

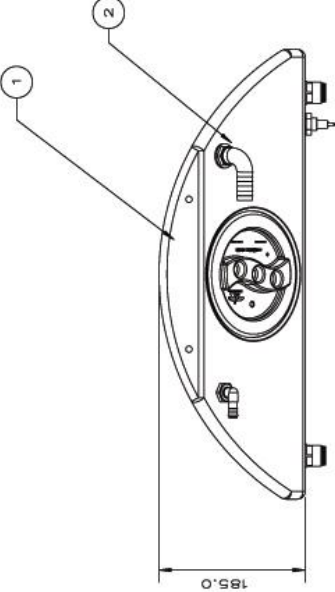
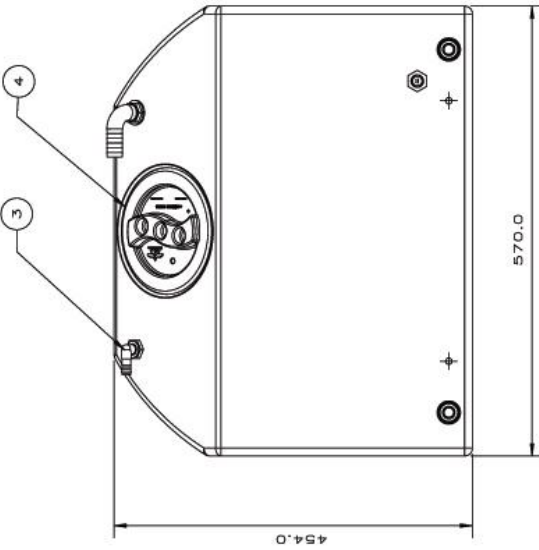
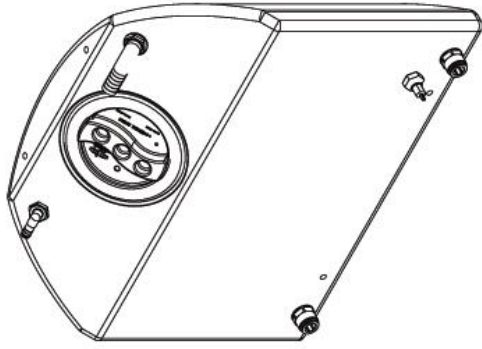


2

21.5mm x $\frac{3}{4}$ " Elbow
Cat No: VB744002
Volvo Part No: 70378190

Hand Wash Tank Spares

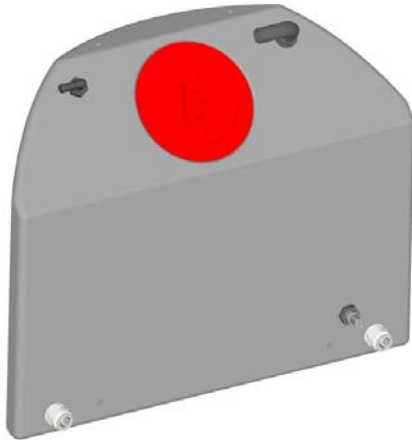
No.	Description	Part No.	Qty
1	28Ltr plastic Tank	VB733083	1
2	3/4" Grey Tank Fitting	VB747036	1
3	1/2" BSP Hose Barb Con	VB747032	1
4	Hatch Cover	VB732051	1
5	Lever Float Switch	VB714510	1
6	Male Coupler	VB747028	2

Dimensions: 185.0 (width), 454.0 (depth), 570.0 (height)

STANDARD INFORMATION This drawing is the property of the company and is not to be used, copied, or reproduced in any form without the written permission of the company.		DATE REVISIONS RELEASED Rev. 1 Change Description: A. Initial Rev. 2 Rev. 3 Rev. 4 Rev. 5	
DESIGN CHECKED: [Signature] APPROVED: [Signature]	ENGINEERING PURCHASING: [Signature] PRODUCTION: [Signature]	DATE DATE REVISIONS: [Signature] DATE APPROVAL: [Signature]	FILE FILE NO.: [Signature]
SCALE N.T.S.		TESTED TESTED: [Signature]	
WIPAC 2051 & 1502 Hand Wash Tank Assembly			
NATIONAL INSTRUMENTS INC. 4000 W. 10TH AVENUE DENVER, CO 80202			
DRAWING NO. 578210			

Handwash Tank Spares



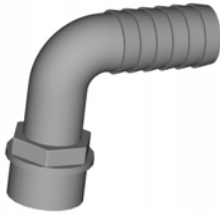
Assembled Hand wash Tank
With Fittings
Cat No: VB733080
Volvo Part No: 70371850

Handwash Pump
Cat No: VB702110
Volvo Part No: 70368755

1



4



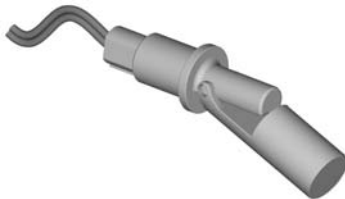
3/4" Swivel Hose Connector
Cat No: VB744005
Volvo Part No: 70371892

6

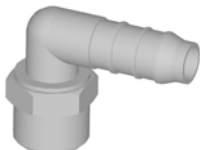


21.5mm x 3/4" Elbow
Cat No: VB744002
Volvo Part No: 70378190

8



Elbow 3/4" x 3/4" Tank Fitting
Cat No: VB744003
Volvo Part No: 70371896



Cubicle Base Spares

No.	Description	Part No.	Drawing No.	Qty
1	Cubicle Base	A2051051	ST6056	1
2	Kick Guard	VB713296	-	1
3	Floor Mat (option)	661471	-	1
4	SS Bowl Assy	E999001/2	ST6222	1
5	Cowling	B2051008	ST6108	1
6	Roll Holder Assy	E2051007	ST6205	1
7	Sink Top Assy	E2051001	ST6202	1
8	Lower Vanity Assy	E2051002	ST6203	1
9	Bin Door Assy	E2051003	ST6204	1
10	Floor Drain	VB701551	-	1
11	Hand Wash Tank Assy	H2051027	ST6209	1

*NOTE.
RH Base is a mirror of LH Base

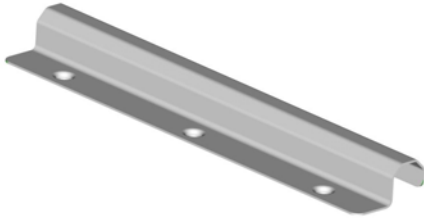
DATE	BY	CHKD	APP'D
DATE	DATE	DATE	DATE
DATE	DATE	DATE	DATE
DATE	DATE	DATE	DATE

DATE	DESCRIPTION	BY	CHKD
DATE	DESCRIPTION	DATE	DATE
DATE	DESCRIPTION	DATE	DATE
DATE	DESCRIPTION	DATE	DATE

DATE	DESCRIPTION	BY	CHKD
DATE	DESCRIPTION	DATE	DATE
DATE	DESCRIPTION	DATE	DATE
DATE	DESCRIPTION	DATE	DATE

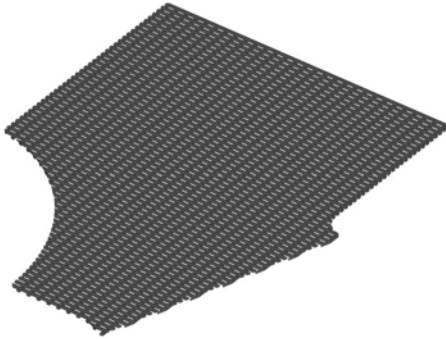
DATE	DESCRIPTION	BY	CHKD
DATE	DESCRIPTION	DATE	DATE
DATE	DESCRIPTION	DATE	DATE
DATE	DESCRIPTION	DATE	DATE

Cubicle Base Spares



2

Kick Guard
Cat No: VB713295
Volvo Part No: 70368761



3

Floor Mat
Cat No: VB661471
Volvo Part No:



10

Floor Drain
Cat No: VB701550
Volvo Part No: 70368794

No. Description	Part No.	Drawing No. Qty
1 Cubicle Top	A2051052	ST6055 1
2 Bulb	VB715028	- 2
3 Bulb Holder	VB715027	- 2
4 Extractor Fan	VB727500	- 1
5 Large Grab Handle	VB661160	- 1
6 Window	VB661050	- 1
7 Fan Cover	VB661046	- 1
8 Light Cover	VB661045	- 1
9 Upper Vanity Door Assy	E2051006	ST6207 1
10 Upper Vanity Assy	E2051005	ST6206 1
11 Small Grab Handle	VB661165	- 1
12 PIR Sensor	VB712025	- 1

SHOWN TO BE RELEASED

DATE RELEASED: 10/11/01
 DRAWN: J.S.
 CHECKED: J.S.
 APPROVED: J.S.
 SCALE: 1:1

DATE: 10/11/01
 DATE: 10/11/01
 DATE: 10/11/01

PROJECT: 2051 & 1502 Top Assy
 MATERIAL: -
 FINISH: -
 NUMBER OF PAGES: 0008 OF 0100

DATE: 10/11/01
 DATE: 10/11/01
 DATE: 10/11/01

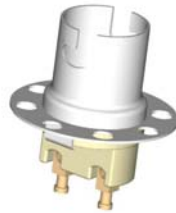
SCALE: 1:1

DATE: 10/11/01
 DATE: 10/11/01
 DATE: 10/11/01



2

Bayonet Bulb
Cat No: VB712028
Volvo Part No: 945091



3

Bayonet Bulb Holder
Cat No: VB712027
Volvo Part No: 70368816



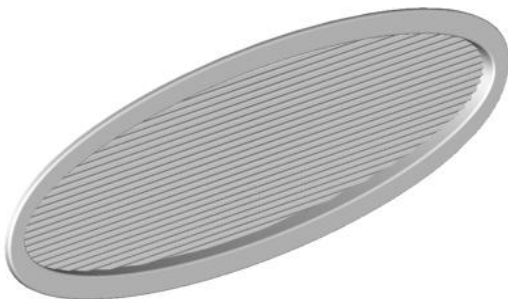
4

Ventilator Fan
Cat No: VB727500
Volvo Part No: 70368746



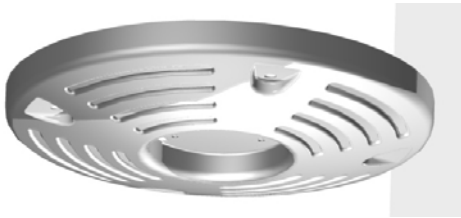
5

610mm Grab Handle
Cat No: VB661160
Volvo Part No: 70368774



6

Window
Cat No: VB661050
Volvo Part No: 70371852



7

Fan Cover
Cat No: VB661046
Volvo Part No:



8

Lamp Cover
Cat No: VB661045
Volvo Part No: 21036954



11

210mm Grab Handle
Cat No: VB661165
Volvo Part No: 70368800



12

PIR Sensor
Cat No: VB712025
Volvo Part No: 70368810

No.	Description	Part No.	Drawing No.	Qty
1	RH Cubicle Top Assy	F2051052	ST6240	1
-	LH Cubicle Top Assy	F1502052	ST6240	1
2	RH Cubicle Base Assy	F2051051	ST6241	1
-	LH Cubicle Base Assy	F1502051	ST6241	1
3	RH Door Assy	G2051053	ST6208	1
-	LH Door Assy	G1502053	ST6208	1
4	RH Door Fascia	A2051058	ST6197	1
-	LH Door Fascia	A1502058	ST6197	1
5	RH Aisle Fascia	E2051059	ST6198	1
-	LH Aisle Fascia	E1502059	ST6198	1
6	RH Front Fascia	E2051055	ST6295	1
-	LH Front Fascia	E1502055	ST6295	1

Shades Techniques South London Airport Technical, England The drawing is the private property of Shades Techniques Ltd. It is to be used only for the project for which it was prepared. It is not to be reproduced, stored, transmitted, or disseminated in any form or by any means, electronic, mechanical, photocopying, recording, or by any information storage and retrieval system, without the prior written permission of Shades Techniques Ltd.		Doc Release Status: RELEASED	Part No. F2051052	Title: 2051 RH Cubicle Main Assy (LH = Mirror Image 1502)	Date 20/03/08	Date 20/03/08	Date 20/03/08	Date 20/03/08	Date 20/03/08	Date 20/03/08	Date 20/03/08
Issue A	Date 20/03/08	Issue B	Date 20/03/08	Issue C	Date 20/03/08	Issue D	Date 20/03/08	Issue E	Date 20/03/08	Issue F	Date 20/03/08
Issue Description 1 - New Assembly 2 - New Parts & Parts Issues		Drawn Checked Approved Scale N.T.S.		Engineering Purchasing Production File 2051052		Date 20/03/08		Date 20/03/08		Date 20/03/08	
Scale 1/4" = 12"		Material F2051052		Material F2051052		Material F2051052		Material F2051052		Material F2051052	
Part No. F2051052		Part No. F2051052		Part No. F2051052		Part No. F2051052		Part No. F2051052		Part No. F2051052	



610mm Grab Handle
Cat No: VB661160
Volvo Part No: 70368774

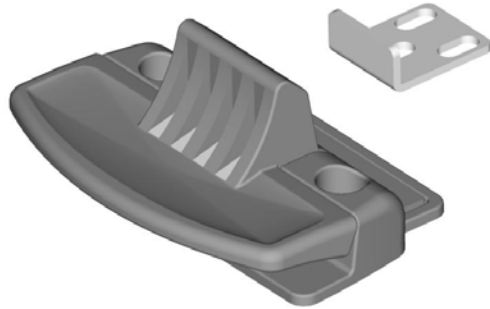
No.	Description	Part No.	Drg No.	Qty
1	200mm Strap	VB747040	ST5988	1
2	Upper Mould RH	C2051010	ST6331	1
-	Upper Mould LH	C1502010	ST6331	1
3	Edgemount Hinge	VB661410	ST5173	2
4	Rubber Stopper	VB713500	ST6333	1
5	Lower Moulding RH	C2051009	ST6332	1
-	Lower Moulding LH	C1502009	ST6332	1
6	Escutcheon	VB747040	ST5681	2
7	600mm Strap	VB747040	ST5988	1
8	Latch	VB661041	ST6330	1

625.00

385.00

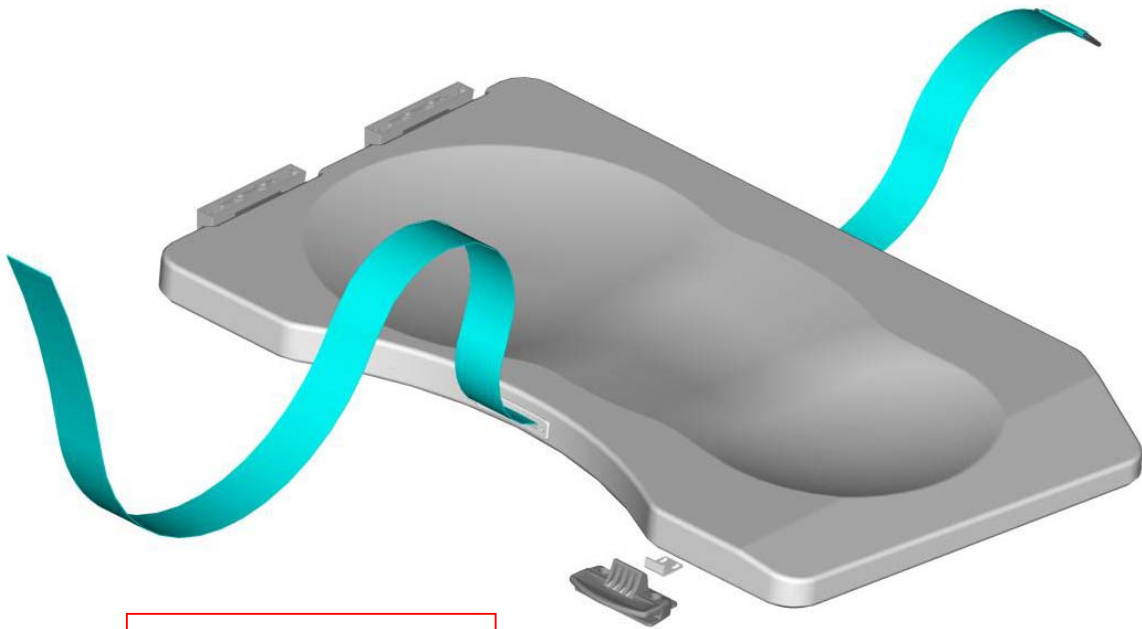
30.00

Shades Technics Hertford, England Tel: 01825 872222	Doc Release Status RELEASED	TOLERANCES mm .X. = 0.1 mm .XX. = 0.05 mm .XXX. = 0.025	DATE 03/05/00 FILE 200904V	TITLE: 2051 & 1502 Baby Changer DRAWING NO.: ST6317
Author: A	Checked: N.T.B.	Scale: 1:1	Engineering: L.P.	Material: -
Checker: B	Approved: N.T.B.	Material: -	Purchasing: -	Finish: -
Designer: 1	Scale: N.T.B.	Material: -	Production: -	Material: -
Drawer: 2	Scale: N.T.B.	Material: -	Production: -	Material: -



8

Latch
Cat No: VB661041

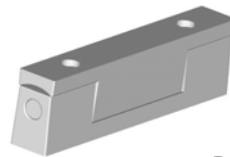


1

Small Strap (200mm)
Cat No: VB747040
Volvo Part No:

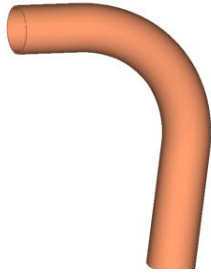
7

Large Strap (600mm)
Cat No: VB747040
Volvo Part No:

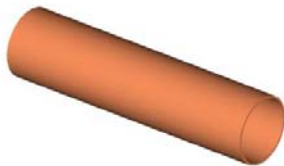


3

Baby Changer Hinge
Cat No: VB661410
Volvo Part No: 70371880



110mm Sweep Bend x 1000mm long
Cat. No.: VB735755
Volvo Part No. 70371864



110mm Sweep Bend Extension
Cat No: VB735756



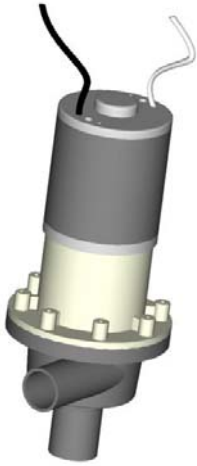
110mm Soil Pipe Coupling
Cat No: VB735757



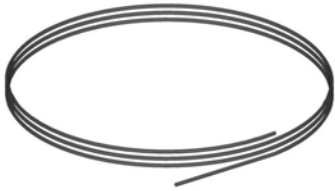
110mm Straight Pan Connector with Gasket
Cat No: VB735759



90mm ID x 38mm Grey Socket Ring
Cat No: VB735762



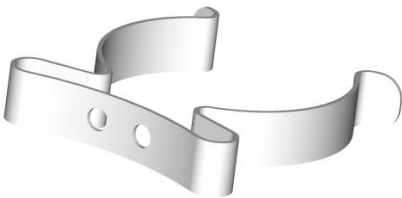
Flush Pump
Cat No: VB702180
Volvo Part No: 70368753



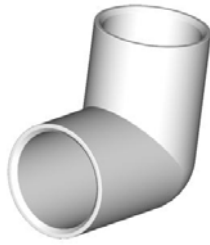
4mm Air Pipe
Cat No: VB735722
Volvo Part No: 980830



Clear Plastic Insulation Sleeve 6.1 x 7.9
Cat No: VB713047



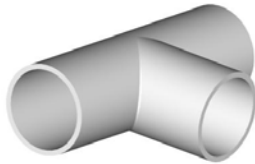
Terry Clip
Cat No: VB713285
Volvo Part No: 70371905



Knuckle Bend
Cat No: VB744120
Volvo Part No: 70371889



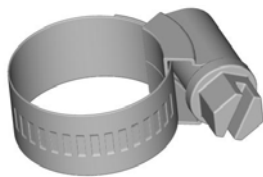
Shut off Tap
Cat No: VB747037
Volvo Part No: 70371895



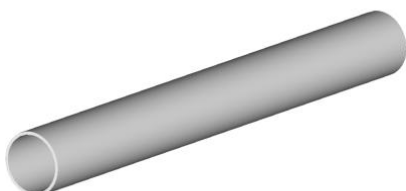
T Push Fit
Cat No: VB744121
Volvo Part No: 70371899



1/2" Potable Hose
Cat No: VB744030
Volvo Part No: 70371923



12-22 Hose Clip
Cat No: VB744041
Part No: 943471



21.5mm Rigid Pipe
Cat No: VB747055
Volvo Part No: 70371897



No Standing
Cat No:735560



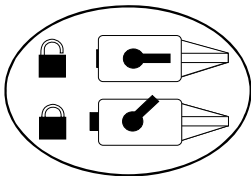
Emergency Alarm
Cat No:735566



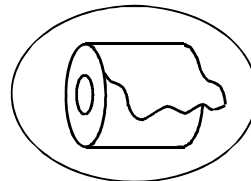
No Smoking
Cat No:735563



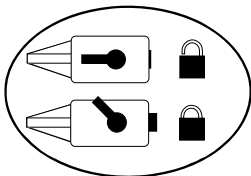
Shades Technics
Cat No:735568



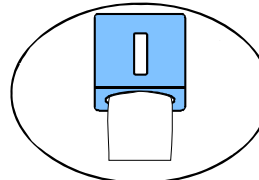
Door Lock LH
Cat No:735571



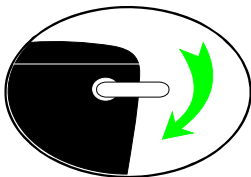
Toilet Roll
Cat No:735569



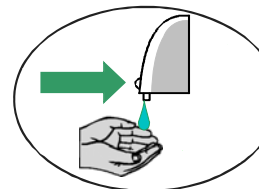
Door Lock RH
Cat No:735564



Hand Towel Dispenser
Cat No:



Flush
Cat No:735562



Soap Dispenser
Cat No:



Hand wash
Cat No:735561



Litter Bin
Cat No:735567

Full Set Of Labels
Cat No: VB735570 Volvo Part No: 70368783
Please specify **LEFT** or **RIGHT** hand cubicle when placing order for labels

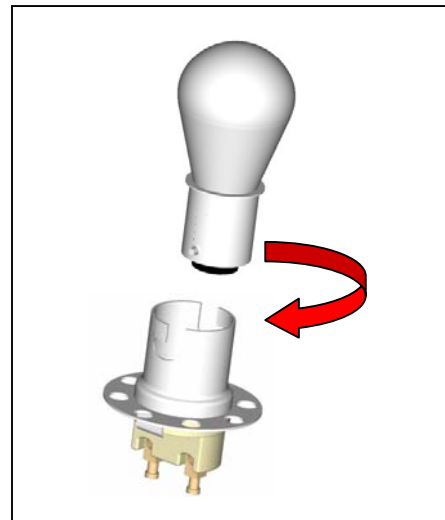
The following section details where to find key components and how to replace them.

Part = Bulbs

Location = Cubicle Top

Replacement....

1. DISCONNECT THE POWER TO THE CUBICLE
2. REMOVE PLASTIC LIGHT COVER – 4x NYLON SCREWS
3. DISCONNECT PIR CONNECTOR
4. TWIST BULB TO RELEASE AND REPLACE

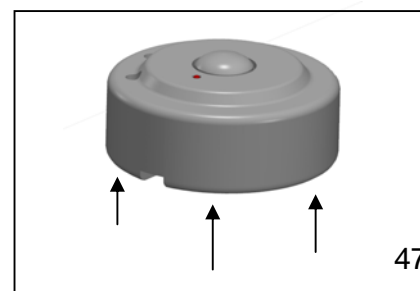


Part = PIR Sensor

Location = Cubicle Top

Replacement....

1. REMOVE PLASTIC LIGHT COVER – 4x NYLON SCREWS
2. DISCONNECT PIR CONNECTOR
3. REMOVE 3x SCREWS ON THE INSIDE OF THE LIGHT COVER TO RELEASE THE PIR SENSOR.
4. TO RE-FIT A NEW SENSOR, REMOVE THE 3x SCREWS FROM THE BACK AND FIT THE UNIT BACK IN THE RECESS.
5. TIGHTEN THE SCREWS FROM INSIDE THE LIGHT COVER MAKING SURE TO ALIGN THE CABLE FROM THE PIR THROUGH THE SQUARE HOLE.

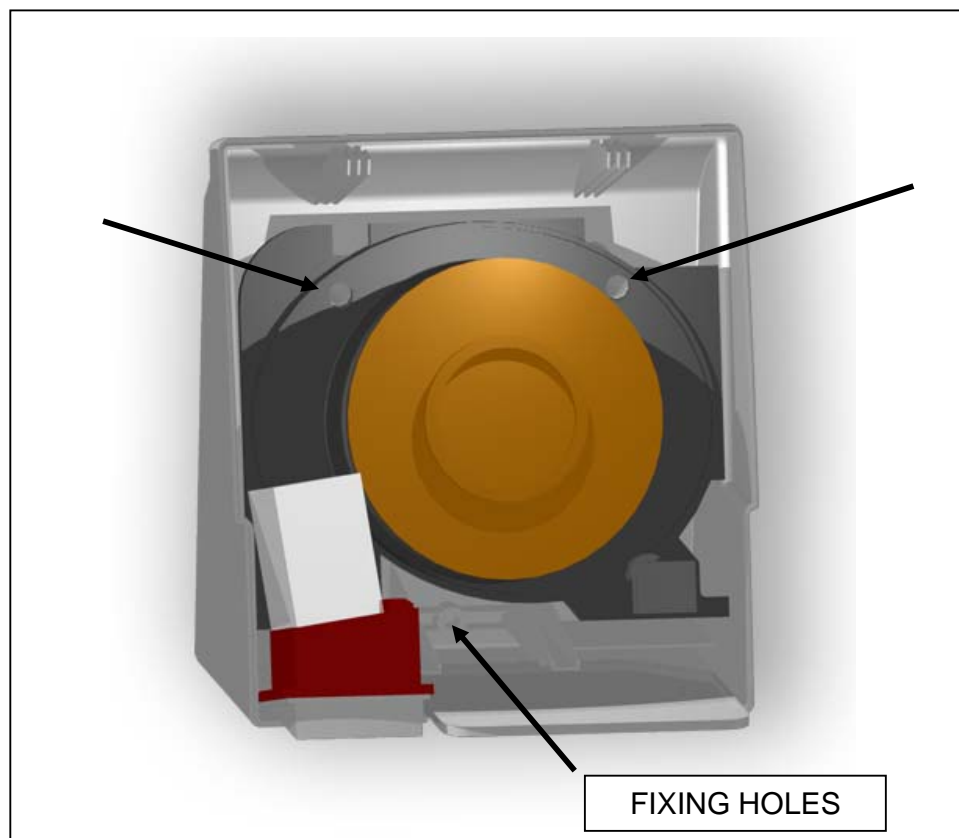


Part = Hand Drier

Location = Behind Upper Vanity Door

Replacement....

1. DISCONNECT THE POWER TO THE CUBICLE
2. UNLOCK AND OPEN THE UPPER VANITY DOOR
3. REMOVE 2x SCREWS ON THE UNDERSIDE OF THE HAND DRIER
4. REMOVE THE FRONT COVER OF THE HAND DRIER
5. REMOVE 2x RUBBER HOLE COVERS
6. REMOVE 3x SCREWS RELEASING THE UNIT FROM THE WALL
7. DISCONNECT THE 2 CABLES PASSING THROUGH THE OUTER WALL OF THE CUBICLE MAKING SURE THEY DO NOT FALL DOWN THE BACK
8. RE-CONNECT A NEW UNIT AND SCREW TO THE WALL
9. MAKE SURE THE RUBBER HOLE COVERS ARE RE-FITTED AND FIT THE COVER SECURING WITH BOTH SCREWS

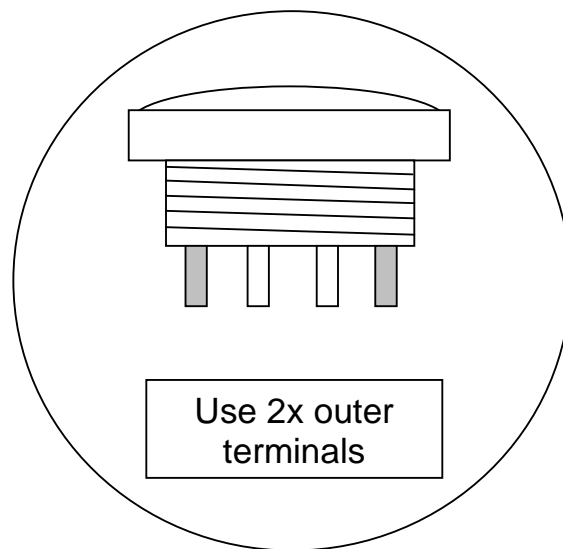


Part = Hand Wash & Flush Buttons

Location = Sink Vanity

Replacement....

1. DISCONNECT THE POWER TO THE CUBICLE
2. UNLOCK LOWER VANITY DOOR
3. REMOVE TERMINALS FROM THE BACK OF THE BUTTON
4. UNSCREW THE COLLAR ON THE UNDERSIDE OF THE BUTTON
5. BUTTON SHOULD RELEASE FROM THE TOP
6. RE-FIT NEW BUTTON AND CONNECT THE TERMINALS

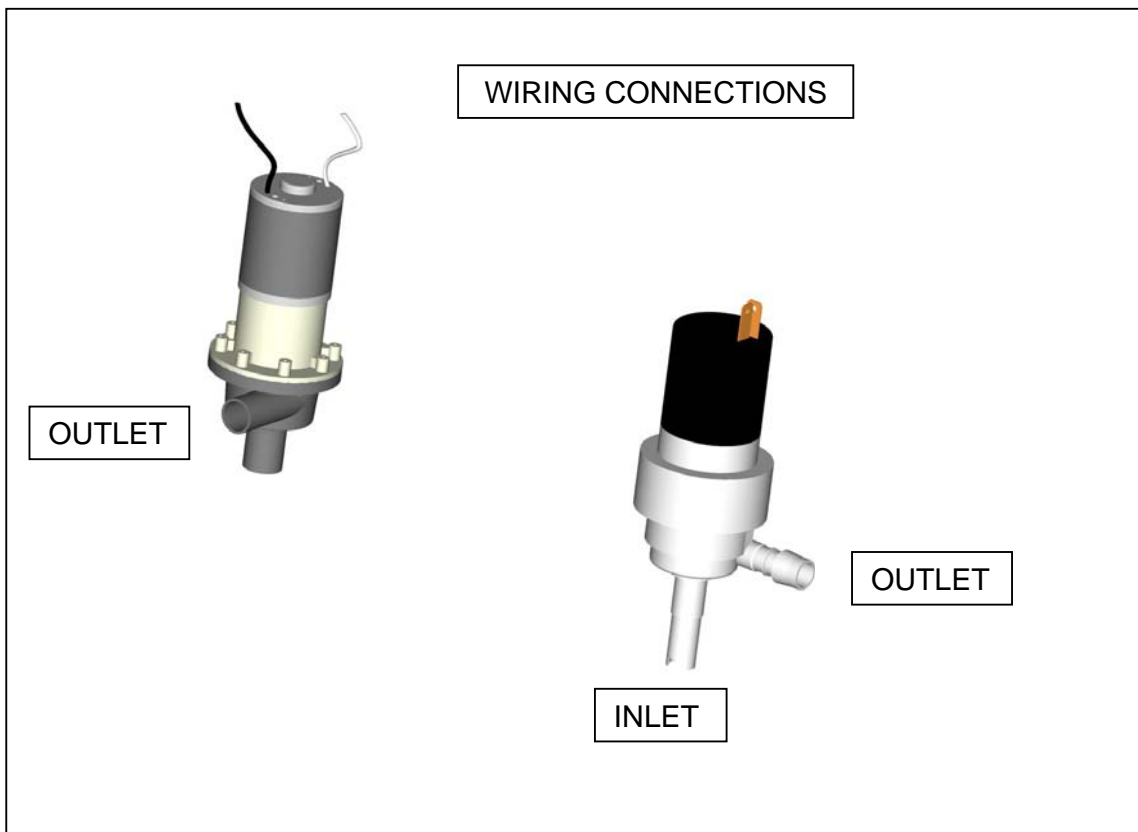


Part = Hand Wash & Flush Pump

Location = Hand Wash Pump – Bin Vanity & Flush Pump – Supply Tank

Replacement....

1. DISCONNECT THE POWER TO THE CUBICLE
2. UNLOCK LOWER VANITY DOOR
3. DRAIN FRESHWATER TANK
4. DISCONNECT THE WIRES TO THE PUMP
5. REMOVE FROM SECURING CLIP
6. RELEASE INLET AND OUTLET PIPES
7. RE-FIT NEW PUMP MAKING SURE THAT BOTH INLET AND OUTLETS ARE WATER TIGHT AND THE FLOW ARROW IS POINTING IN THE CORRECT DIRECTION
8. RE-CONNECT THE POWER
9. CLOSE THE DRAIN ON THE SUPPLY TANK
10. RE-FILL TANK WITH FRESHWATER
11. SWITCH ON POWER TO CUBICLE
12. PRIME PUMP WITH 2-3 BUTTON PUSHES



Part = Toilet Slide Valve

Location = Toilet Bowl

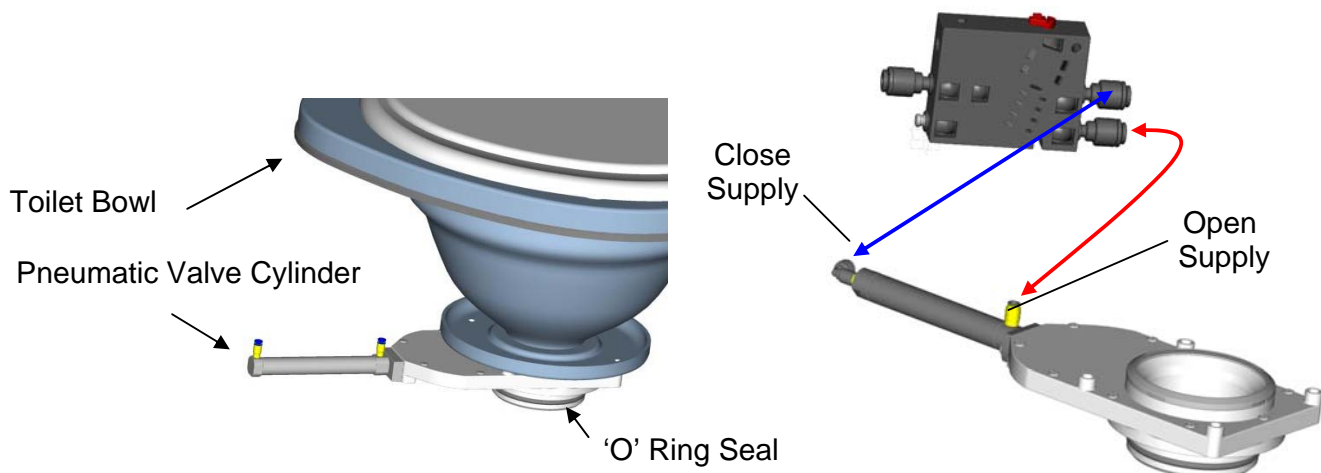
Removal....

1. DISCONNECT THE POWER TO THE CUBICLE
2. REMOVE 4x FIXING SCREWS FROM AROUND THE TOP OF THE BOWL
3. PULL & TWIST THE BOWL TO RELEASE THE SEAL FROM THE SOIL TANK
4. ONCE RELEASED, REMOVE THE SUPPLY HOSE TO THE FLUSH NOZZLE
5. LIFT BOWL OUT & REMOVE THE 2x AIR SUPPLY HOSES TO THE AIR CYLINDER
6. REMOVE 4x FIXING BOLTS SECURING THE SLIDE VALVE TO THE TOILET BOWL

CAUTION: As this air supply is from the vehicle (via the control valve), when it is disconnected the air pressure in the pipes will be at approx 8 bar and will cause the pipe to 'snake around' violently if it is not held firmly.

Replcement....

1. POSITION THE VALVE ASSEMBLY ON THE BOTTOM OF THE BOWL AND SECURE WITH THE 4x BOLTS. TIGHTEN BOLTS TO 6KGF.CM USING A TORQUE WRENCH.
2. SMEAR GREASE OR SIMILAR AROUND THE BLACK O-RING ON THE PNEUMATIC VALVE & PASS BOWL THROUGH APERTURE ON THE COWLING PUSH FIRMLY INTO THE SOIL TANK. ENSURE THAT THE RUBBER FIN GASGET IS NOT IN THE ENTRANCE TO THE TANK AND ON THE BOTTOM OF THE VALVE.
3. RECONNECT THE AIR PIPES TO THE CYLINDER AND THE INLET PIPE TO THE FLUSH NOZZEL
4. PUSH THE BOWL FIRMLY INTO THE SOIL TANK.
5. START THE VEHICLE ENGINE & SWITCH ON THE WC MASTER SWITCH. WAIT UNTIL THE VEHICLE AIR PRESSURE IS AT MAXIMUM BEFORE ATTEMPTING TO FLUSH THE TOILET.



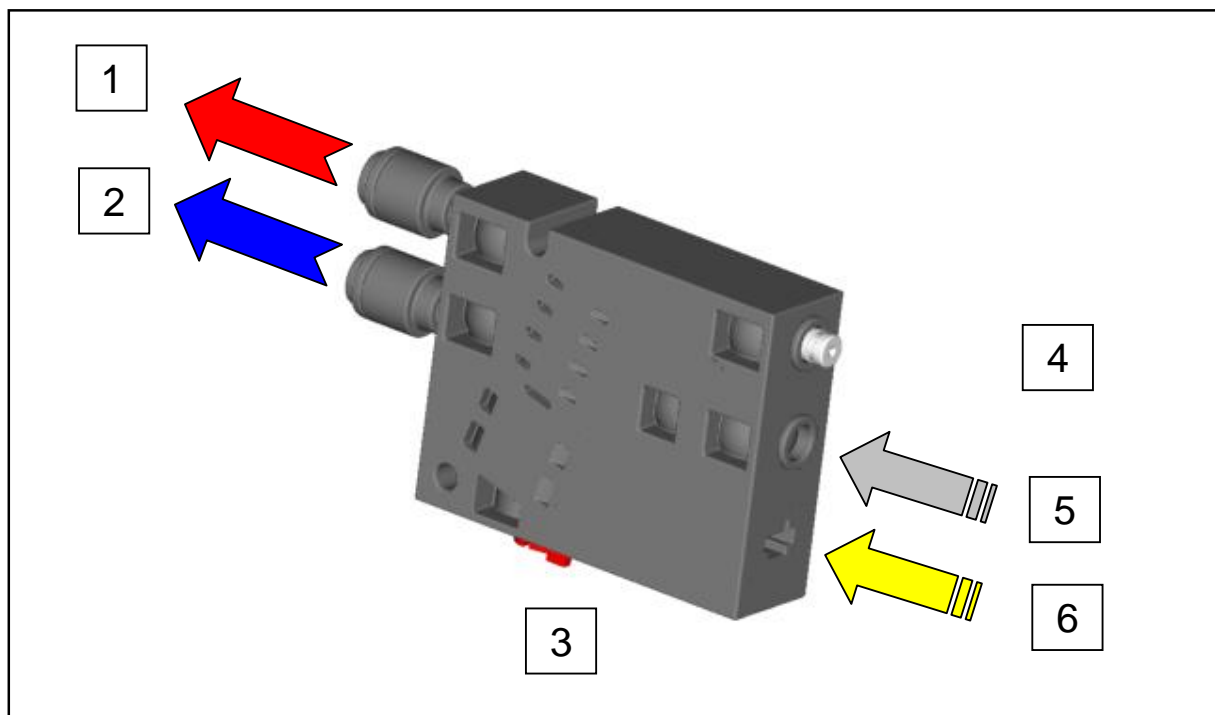
Part = Toilet Valve Control Box

Location = Mounted Next to the PCB

Replacement....

1. DISCONNECT THE POWER TO THE CUBICLE
2. UNCLIP THE BLACK CONTROL VALVE FROM ITS LOCATION
3. REMOVE THE ELECTRICAL CONNECTOR FROM THE VALVE
4. REMOVE THE 3x PIPES FROM THE VALVE
5. RECONNECT NEW VALVE MAKING SURE THAT THE PIPES ARE IN THE CORRECT LOCATION

CAUTION: As this air supply is from the vehicle (via the control valve), when it is disconnected the air pressure in the pipes will be at approx 8 bar and will cause the pipe to 'snake around' violently if it is not held firmly.



1. AIR SUPPLY OUT – TO FRONT OF CYLINDER TO OPEN SLIDE VALVE
2. AIR SUPPLY OUT – TO END OF CYLINDER TO CLOSE SLIDE VALVE
3. OVERIDE SWITCH – SWAPS PORTS 1 & 2 OVER
4. EXHAUST – MUST BE KEPT CLEAR
5. AIR SUPPLY FROM VEHICLE – 10BAR MAX